

Katana Pile Product Guide :

Katana 80kN Pile Product :

Product Code	Item Description	Pile Length (m)
8SP-010	80 kN Pile, CHS 76 x 4.0 wall, 250 x 6 Helix - 450 Grade	1.0
8SP-015	80 kN Pile, CHS 76 x 4.0 wall, 250 x 6 Helix - 450 Grade	1.5
8SP-020	80 kN Pile, CHS 76 x 4.0 wall, 250 x 8 Helix - 450 Grade	2.0
8SP-025	80 kN Pile, CHS 76 x 4.0 wall, 250 x 8 Helix - 450 Grade	2.5
8SP-030	80 kN Pile, CHS 76 x 4.0 wall, 250 x 8 Helix - 450 Grade	3.0
8SP-040	80 kN Pile, CHS 76 x 4.0 wall, 250 x 8 Helix - 450 Grade	4.0

Katana 100kN Pile Product :

Product Code	Item Description	Pile Length (m)
10SP-010	100 kN Pile, CHS 76 x 4.0 wall, 300 x 8 Helix - 450 Grade	1.0
10SP-015	100 kN Pile, CHS 76 x 4.0 wall, 300 x 8 Helix - 450 Grade	1.5
10SP-020	100 kN Pile, CHS 76 x 4.0 wall, 300 x 8 Helix - 450 Grade	2.0
10SP-025	100 kN Pile, CHS 76 x 4.0 wall, 300 x 8 Helix - 450 Grade	2.5
10SP-030	100 kN Pile, CHS 76 x 4.0 wall, 300 x 8 Helix - 450 Grade	3.0
10SP-040	100 kN Pile, CHS 76 x 4.0 wall, 300 x 8 Helix - 450 Grade	4.0

Katana 150kN Pile Product :

Product Code	Item Description	Pile Length (m)
15SP-010	150 kN Pile, CHS 88.9 x 5.5 wall, 350 x 10 Helix - 450 Grade	1.0
15SP-015	150 kN Pile, CHS 88.9 x 5.5 wall, 350 x 10 Helix - 450 Grade	1.5
15SP-020	150 kN Pile, CHS 88.9 x 5.5 wall, 350 x 10 Helix - 450 Grade	2.0
15SP-025	150 kN Pile, CHS 88.9 x 5.5 wall, 350 x 10 Helix - 450 Grade	2.5
15SP-030	150 kN Pile, CHS 88.9 x 5.5 wall, 350 x 10 Helix - 450 Grade	3.0
15SP-040	150 kN Pile, CHS 88.9 x 5.5 wall, 350 x 10 Helix - 450 Grade	4.0

Katana 250kN Pile Product :

Product Code	Item Description	Pile Length (m)
25SP-010	250 kN Pile, CHS 114 x 6.0 wall, 450 x 12 Helix - 350 Grade	1.0
25SP-015	250 kN Pile, CHS 114 x 6.0 wall, 450 x 12 Helix - 350 Grade	1.5
25SP-020	250 kN Pile, CHS 114 x 6.0 wall, 450 x 12 Helix - 350 Grade	2.0
25SP-025	250 kN Pile, CHS 114 x 6.0 wall, 450 x 12 Helix - 350 Grade	2.5
25SP-030	250 kN Pile, CHS 114 x 6.0 wall, 450 x 12 Helix - 350 Grade	3.0
25SP-040	250 kN Pile, CHS 114 x 6.0 wall, 450 x 12 Helix - 350 Grade	4.0

Katana 80kN Pile Extension Product :

Product Code	Item Description	Pile Length (m)
8EXT-010	80 kN Pile Extension, CHS 76 x 4.0 wall - 400 Grade	1.0
8EXT-015	80 kN Pile Extension, CHS 76 x 4.0 wall - 400 Grade	1.5
8EXT-020	80 kN Pile Extension, CHS 76 x 4.0 wall - 400 Grade	2.0
8EXT-025	80 kN Pile Extension, CHS 76 x 4.0 wall - 400 Grade	2.5
8EXT-030	80 kN Pile Extension, CHS 76 x 4.0 wall - 400 Grade	3.0

Katana 100kN Pile Extension Product :

Product Code	Item Description	Pile Length (m)
10EXT-010	100 kN Pile Extension, CHS 76 x 4.0 wall - 400 Grade	1.0
10EXT-015	100 kN Pile Extension, CHS 76 x 4.0 wall - 400 Grade	1.5
10EXT-020	100 kN Pile Extension, CHS 76 x 4.0 wall - 400 Grade	2.0
10EXT-025	100 kN Pile Extension, CHS 76 x 4.0 wall - 400 Grade	2.5
10EXT-030	100 kN Pile Extension, CHS 76 x 4.0 wall - 400 Grade	3.0

Katana 150kN Pile Extension Product :

Product Code	Item Description	Pile Length (m)
15EXT-010	150 kN Pile, CHS 88.9 x 5.5 wall - 400 Grade	0.995
15EXT-015	150 kN Pile, CHS 88.9 x 5.5 wall - 400 Grade	1.495
15EXT-020	150 kN Pile, CHS 88.9 x 5.5 wall - 400 Grade	1.995
15EXT-025	150 kN Pile, CHS 88.9 x 5.5 wall - 400 Grade	2.495
15EXT-030	150 kN Pile, CHS 88.9 x 5.5 wall - 400 Grade	2.995

Katana 250kN Pile Extension Product :

Product Code	Item Description	Pile Length (m)
25EXT-010	250 kN Pile, CHS 114 x 6.0 wall - 400 Grade	1.0
25EXT-015	250 kN Pile, CHS 114 x 6.0 wall - 400 Grade	1.5
25EXT-020	250 kN Pile, CHS 114 x 6.0 wall - 400 Grade	2.0
25EXT-025	250 kN Pile, CHS 114 x 6.0 wall - 400 Grade	2.5
25EXT-030	250 kN Pile, CHS 114 x 6.0 wall - 400 Grade	3.0
25EXT-040	250 kN Pile, CHS 114 x 6.0 wall - 400 Grade	4.0

Katana Pile Component Product Guide :

Katana Pile Connector Product :

Product Code	Item Description
16EC-250	Edge Beam Connector, 250 N16 Bar 500 Grade, M36 Thread
SP-200	Slab Load Transfer Plate 200 x 200 x 6, 400 grade, M36 x 40 Thread
BPS-200.Slotted	Slotted Bearer Load Transfer Plate 200 x 200 x 8, 400 grade, M36 x 200 Thread
BPL-200	Bearer Load Transfer Plate 200 x 200 x 8, 400 grade, M36 x 200 Thread
BCS	Slotted Bearer Connector Plate 156 x 106 x 6, 400 grade

Katana Pile Brace Kit:

Product Code	Item Description
BK - 016	Bracing Kit - 4 x 'U' Bracket, Galvanised Flat Bar - 2 x Turnbuckles, Galvanised M16 - Round Bar, 16 Q Round Bar

Katana Pile Adaptor Product :

Product Code	Item Description
PT-0100	Pile Adaptor to suite - 80 kN Pile, CHS 76 x 100 x 4.0 wall - 400 Grade

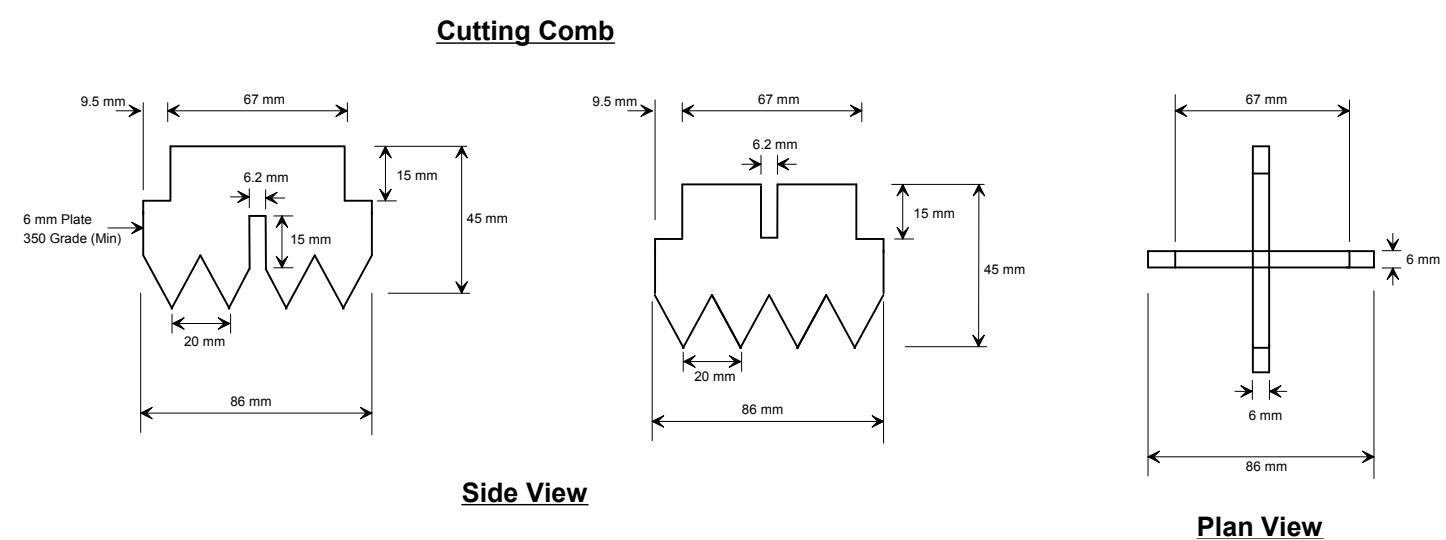
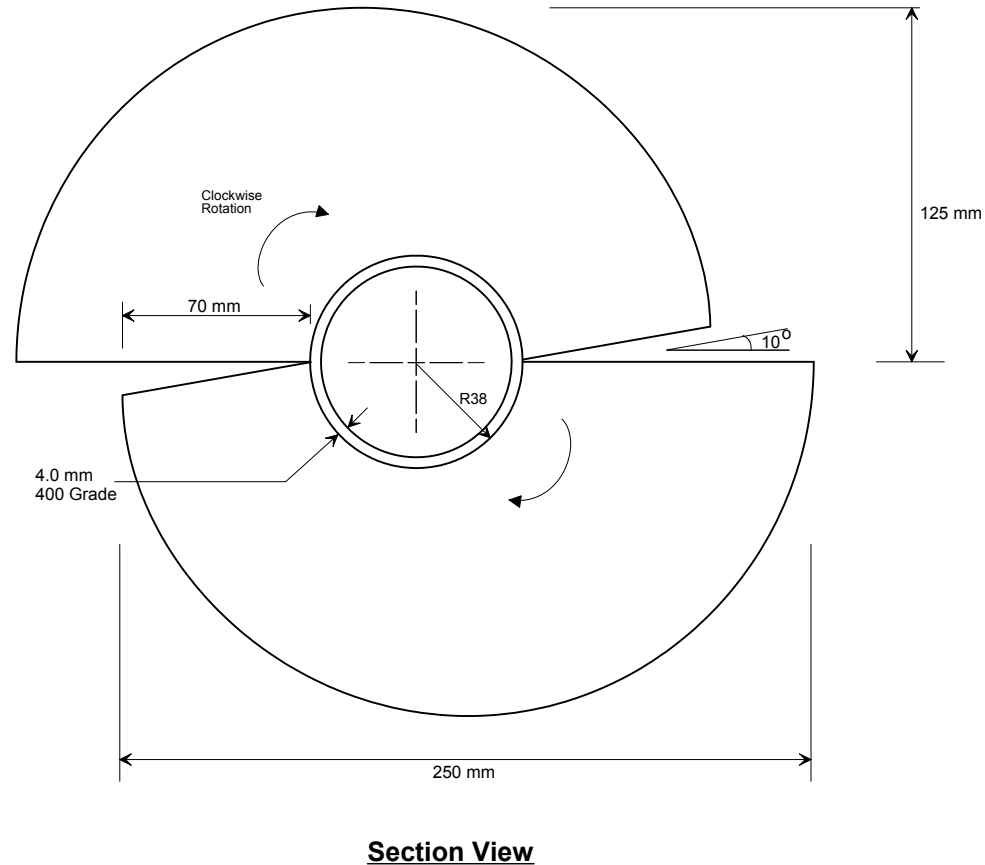
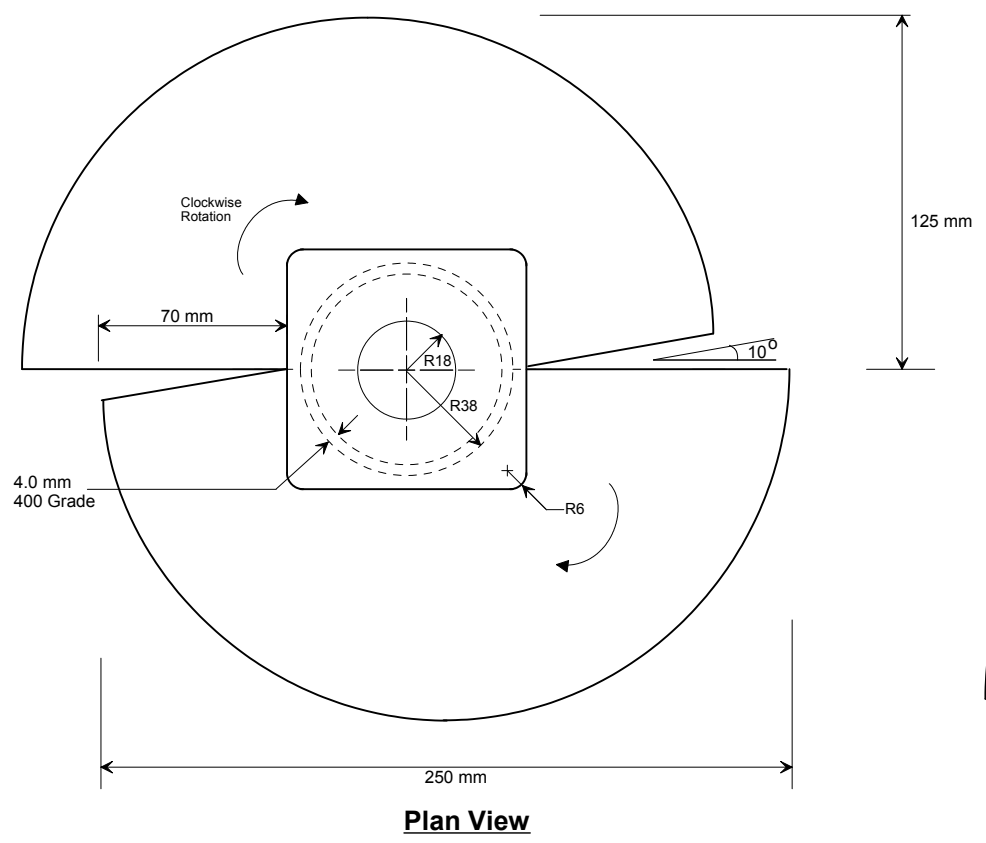
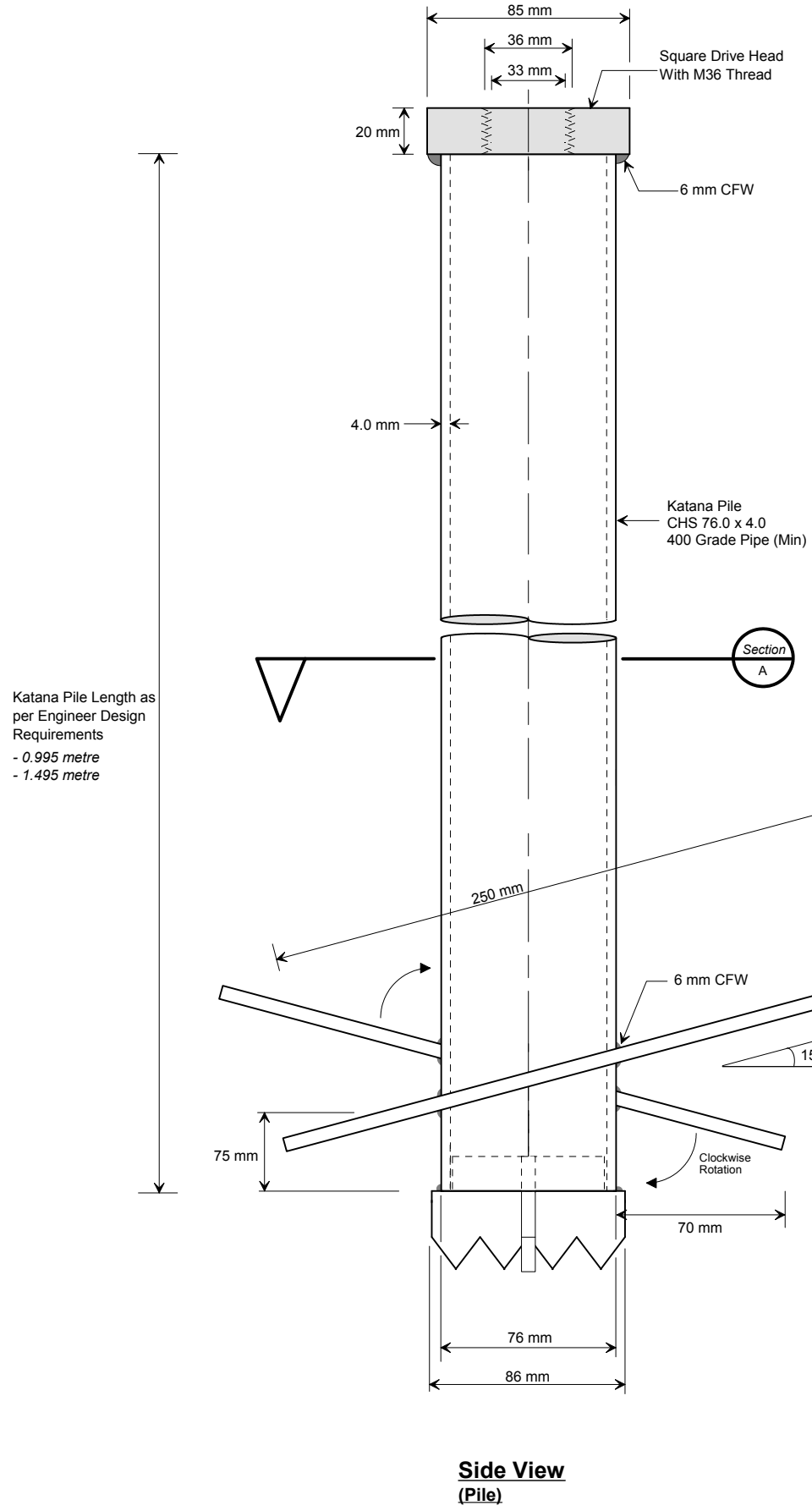
Katana Pile Chain Tension Assembly :

Product Code	Item Description
CTA - 020	200 x 75 x 12, 350 Grade Plate to suite M36 Bolt with 20 mm diameter tie down points

Katana Pile Hydrant Pipe Support:

Product Code	Item Description
HPS - 020	250 x 80 x 12, 350 Grade Plate with M36 Bolt and 2 x 14 mm diameter tie down points

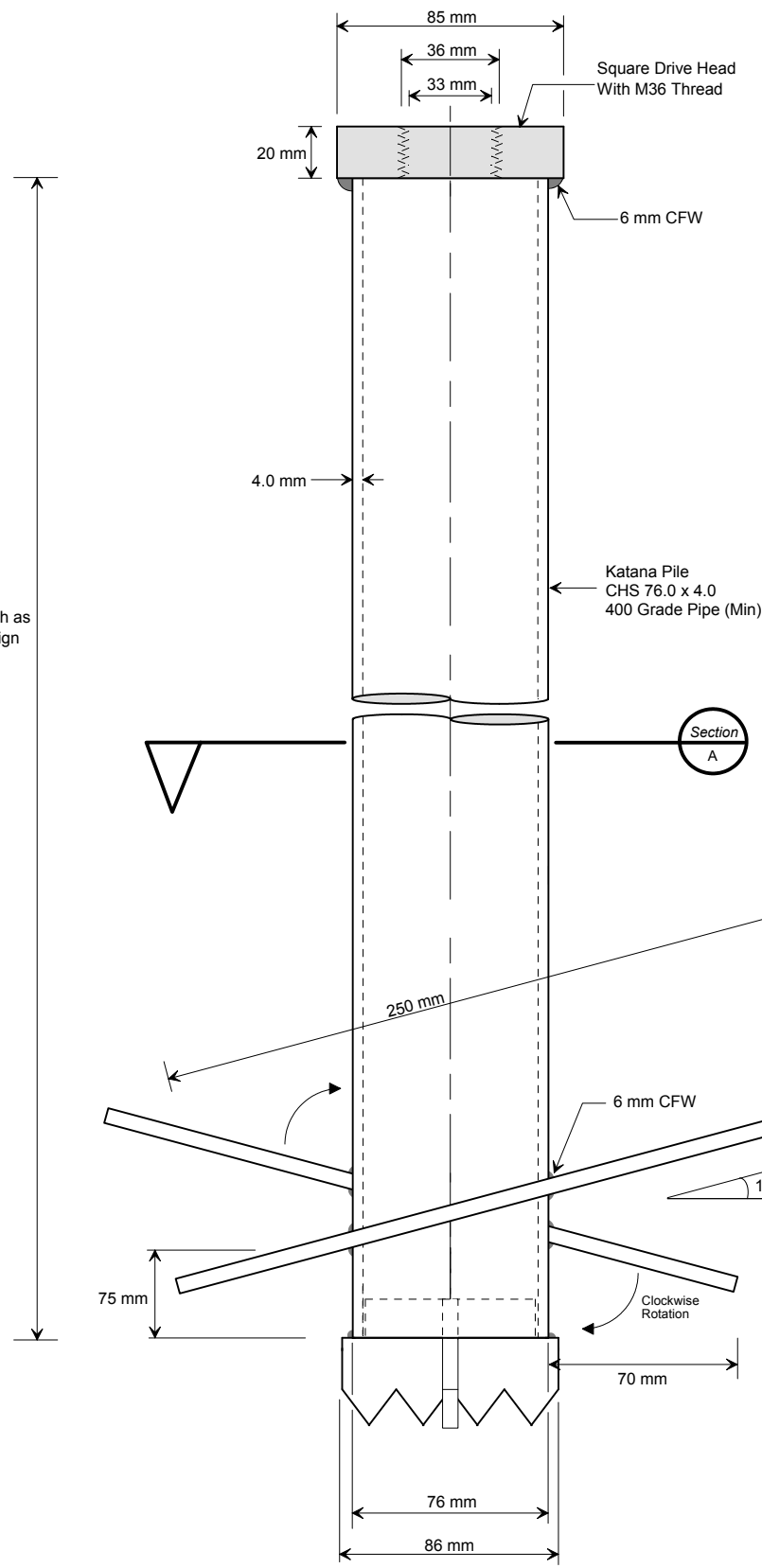
80 kN Katana Pile - 6 mm Helix



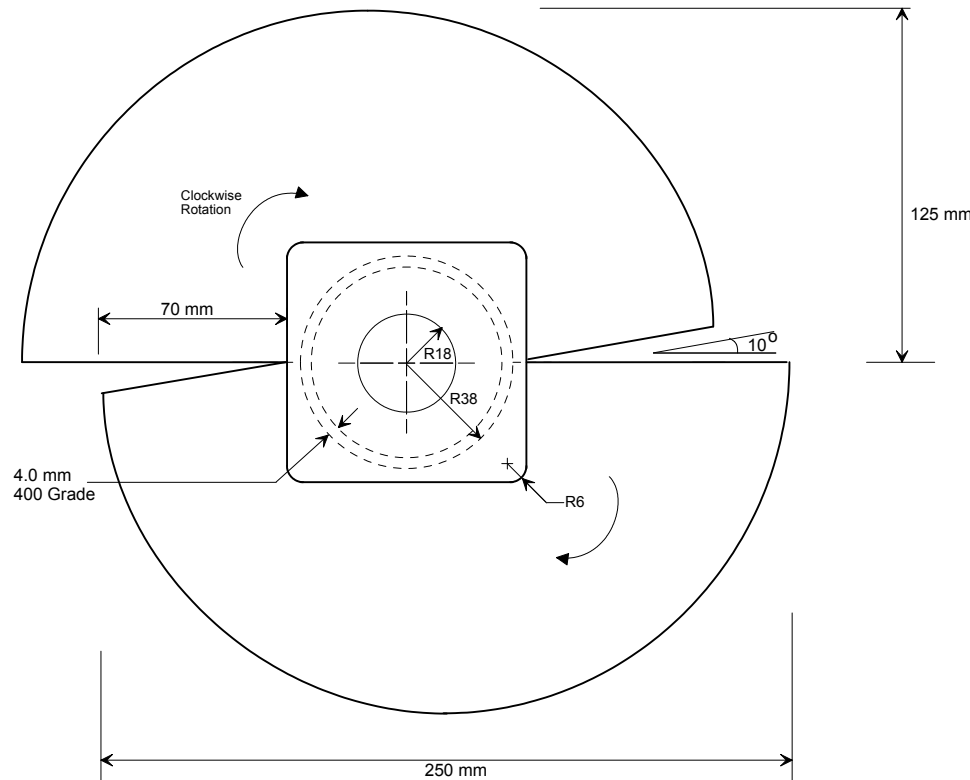
80 kN Katana Pile - 8 mm Helix

Katana Pile Length as per Engineer Design Requirements

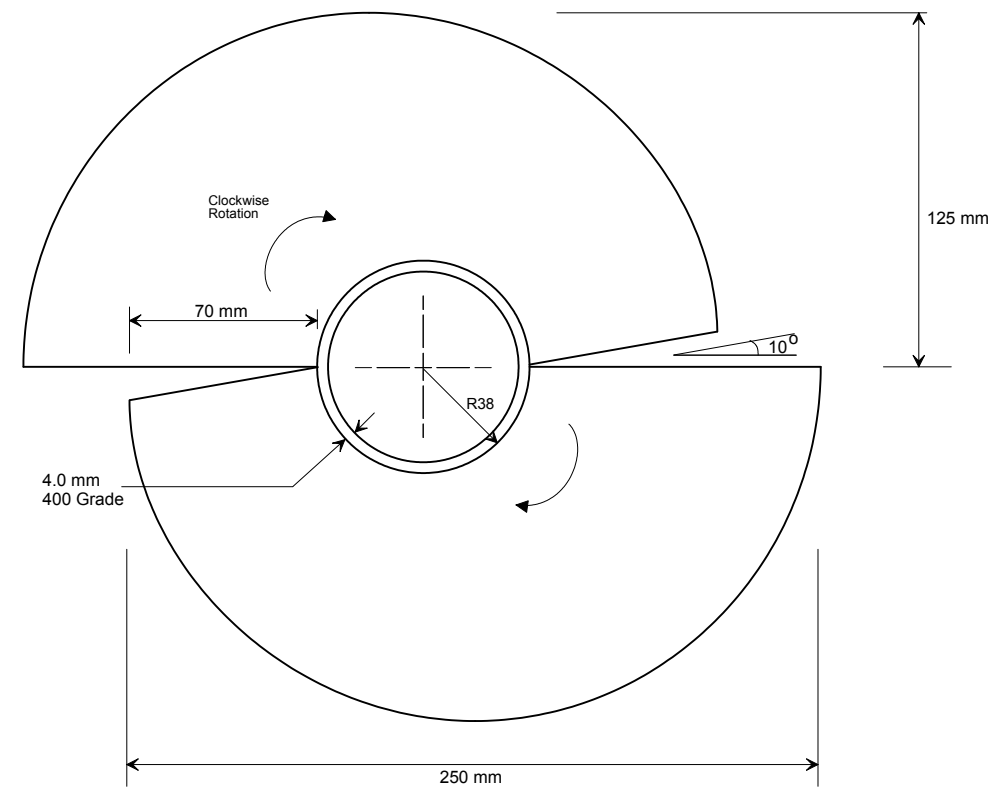
- 1.995 metre
- 2.495 metre
- 2.995 metre
- 3.495 metre
- 3.995 metre



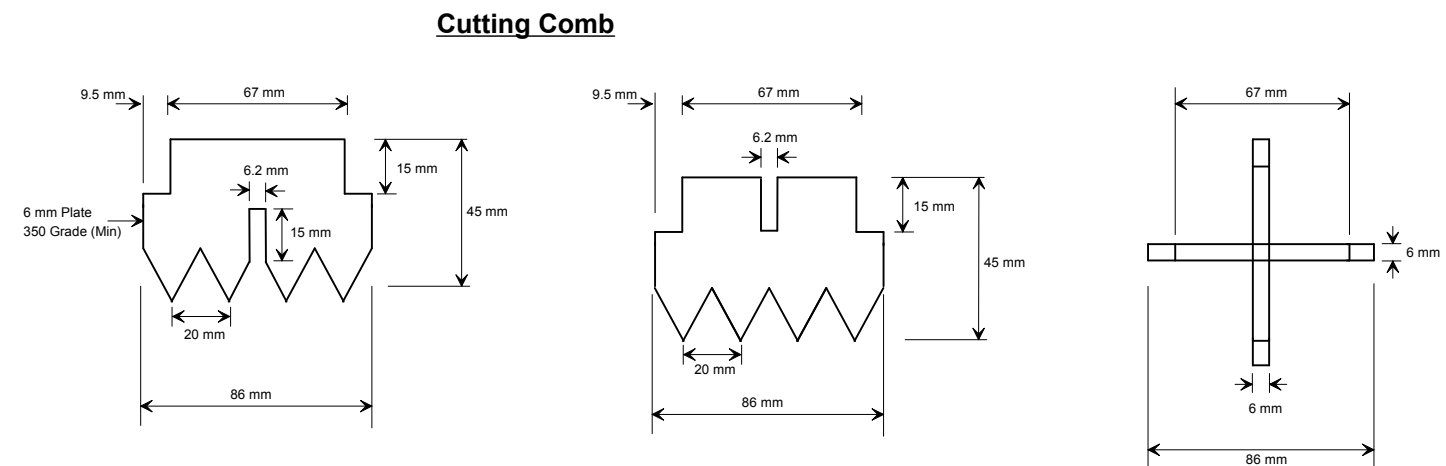
Side View (Pile)



Plan View



Section View



Side View

Plan View



BRISBANE (NORTH)
241 Milton Road
MILTON, Qld 4064
Ph: 07 3071 7444
Fax: 07 3876 2763

BRISBANE (SOUTH)
1821 Ipswich Road
ROCKLEA, Qld 4106
Ph: 07 3071 7444
Fax: 07 3876 2763

GOLD COAST
1/486 Scottsdale Drive
VARSITY LAKES, Qld 4227
Ph: 07 5522 1995
Fax: 07 5522 1776

ADELAIDE
12 Melbourne Street
NTH ADELAIDE, SA 5006
Ph: 08 8267 6093
Fax: 08 8267 6040

MACKAY
PO Box 125
BUSASIA, Qld 4750
Ph: 07 4960 4800
Fax: 07 3876 2763

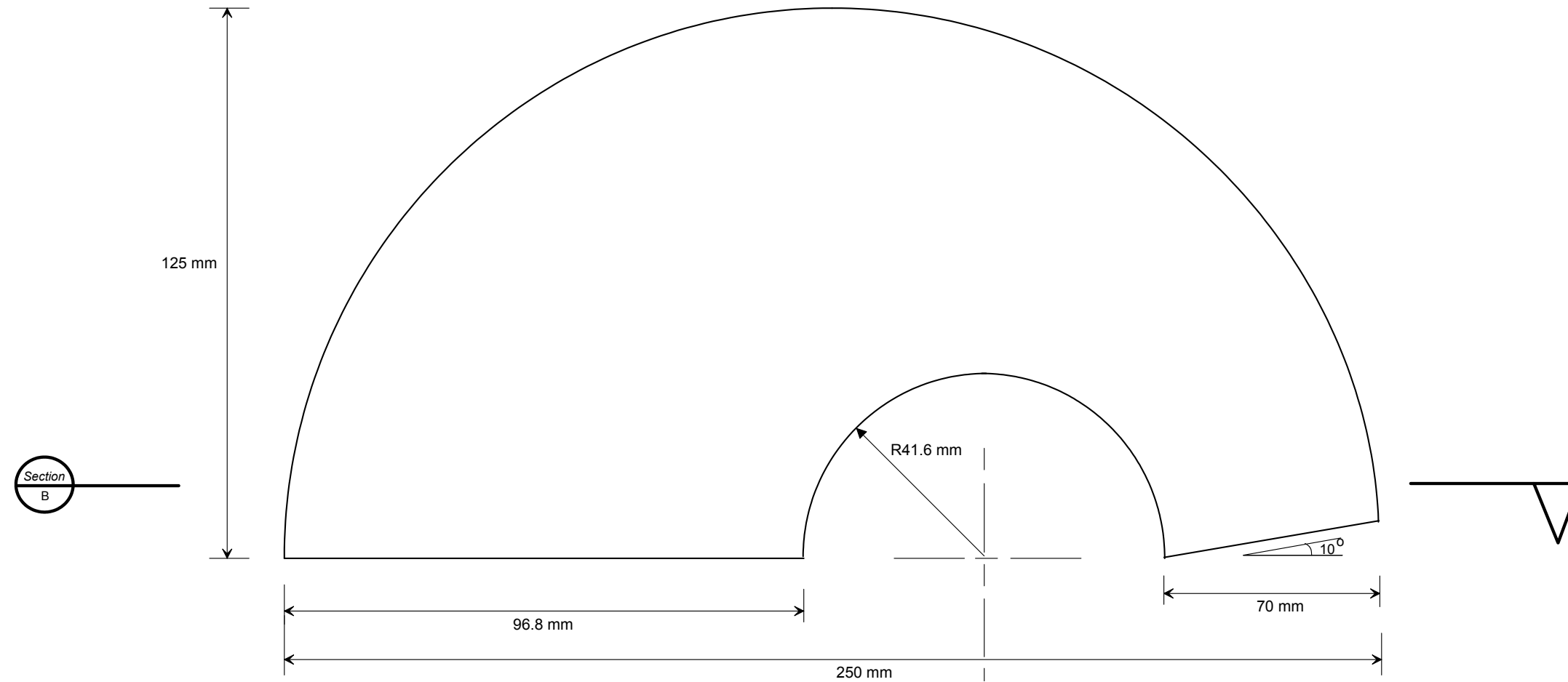
DATE : 1st July, 2015

DWG NO. : Product Codes

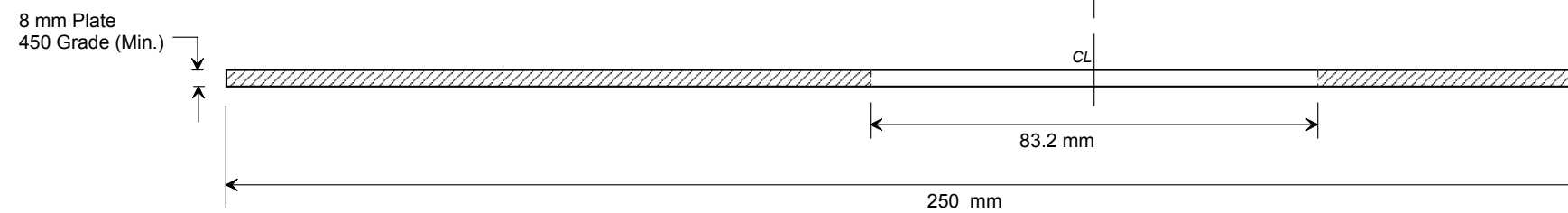
DRAWING TITLE
Katana Pile Specifications



**Typical Katana Pile
Fin Details**

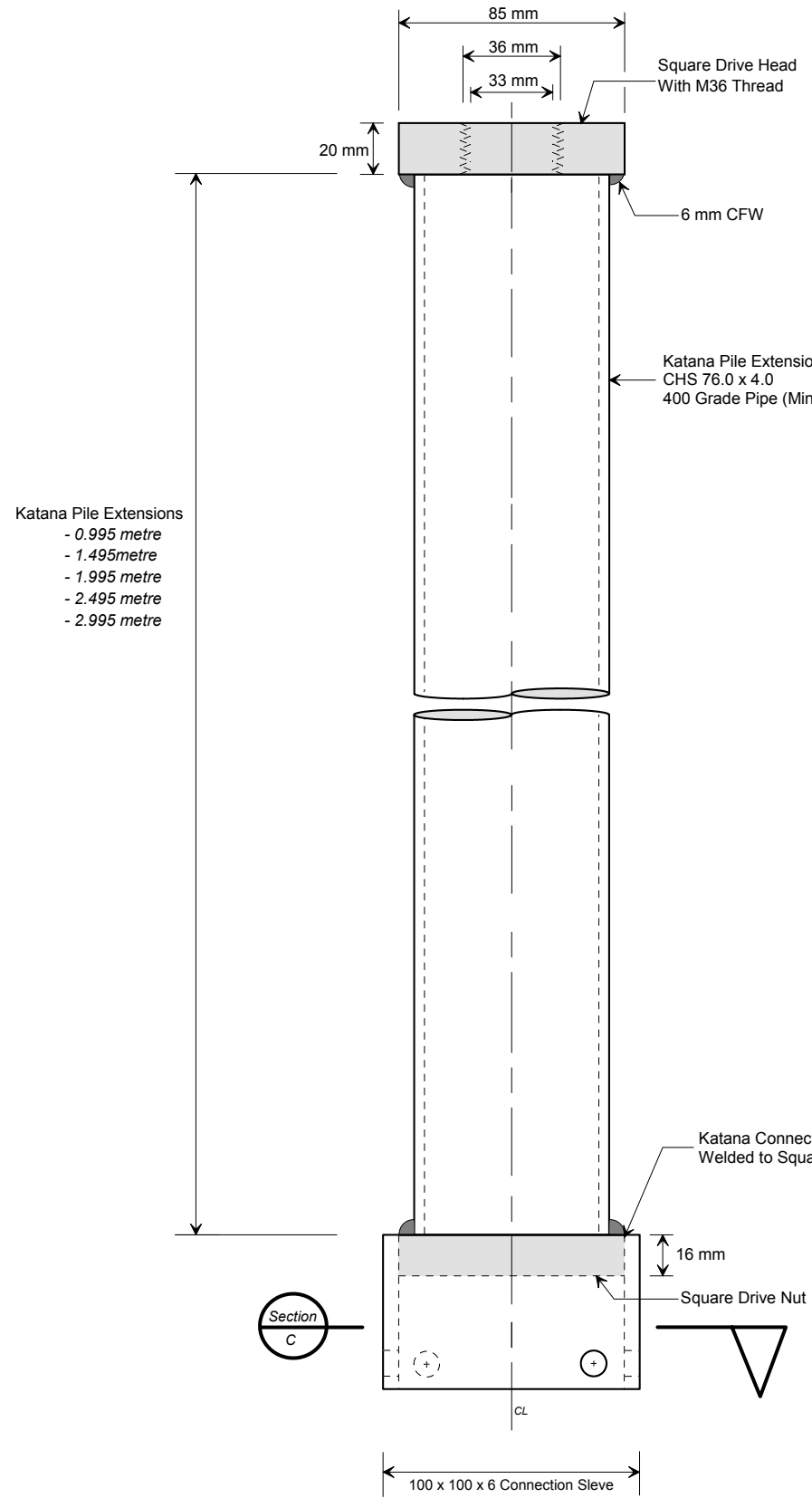


Plan View



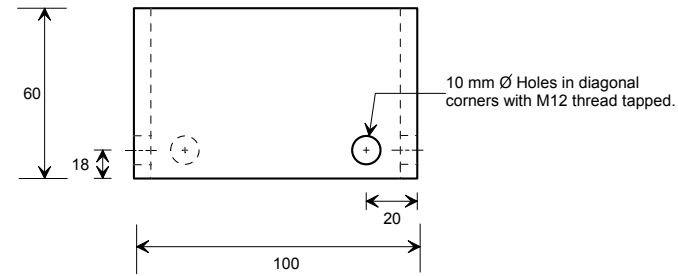
Section View - B

80 kN Katana Pile Specifications Extensions (EXT)

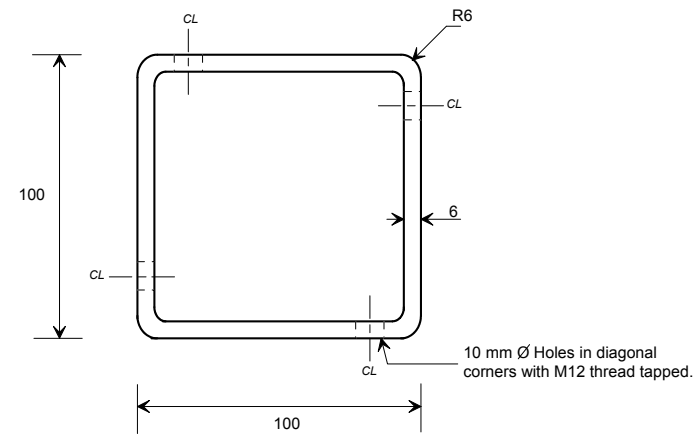


**Side View
Pile Extension**

Katana Pile Connection Collar



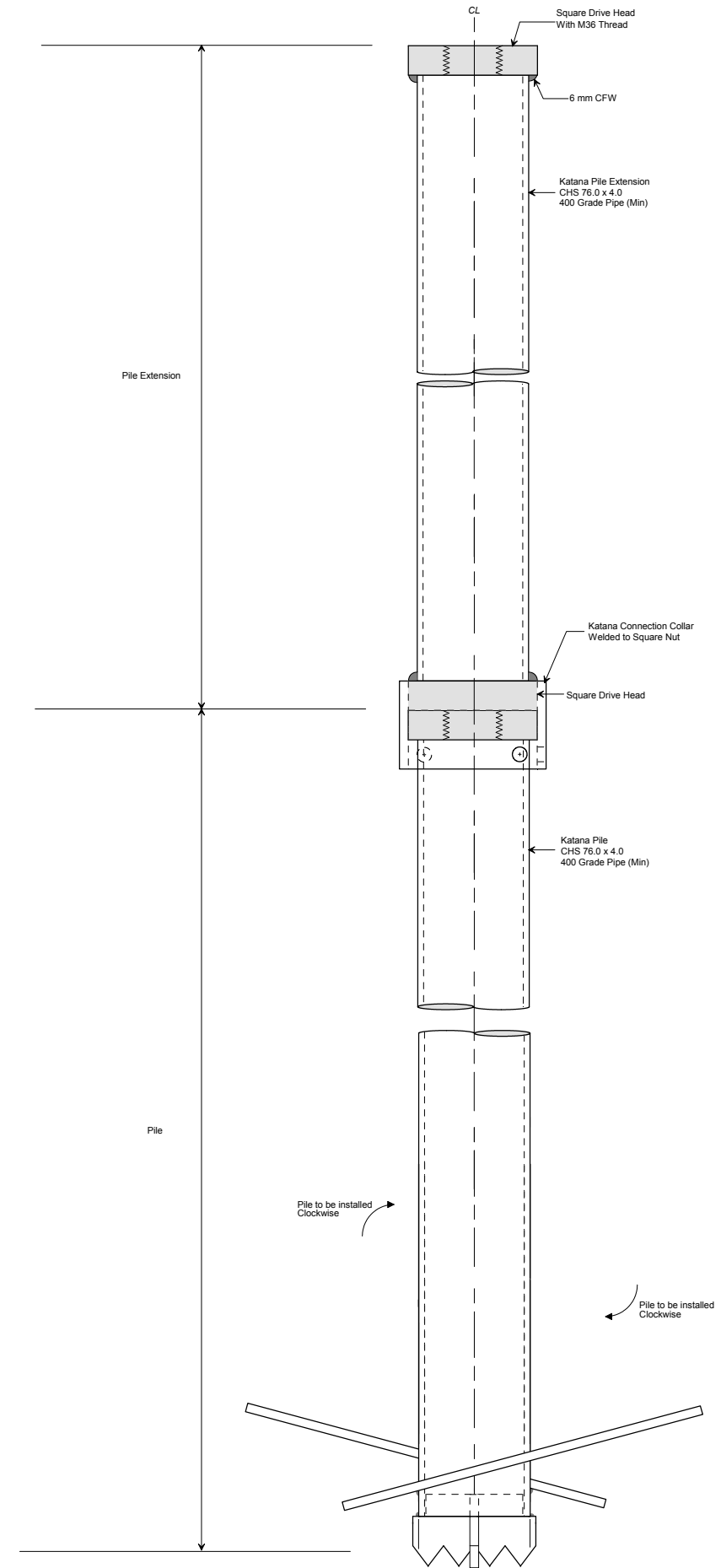
Side View



Section C

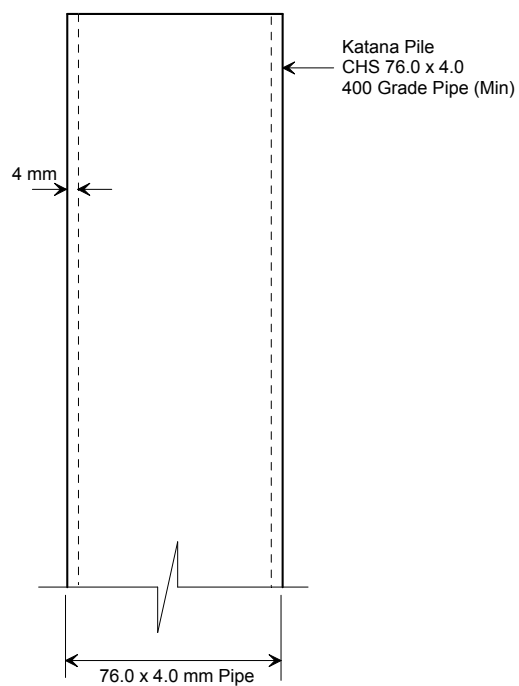
Katana 80kN Pile Extension Product :

Product Code	Item Description	Pile Length (m)
8EXT-010	80 kN Pile Extension, CHS 76 x 4.0 wall - 400 Grade	0.995
8EXT-015	80 kN Pile Extension, CHS 76 x 4.0 wall - 400 Grade	1.495
8EXT-020	80 kN Pile Extension, CHS 76 x 4.0 wall - 400 Grade	1.995
8EXT-025	80 kN Pile Extension, CHS 76 x 4.0 wall - 400 Grade	2.495
8EXT-030	80 kN Pile Extension, CHS 76 x 4.0 wall - 400 Grade	2.995

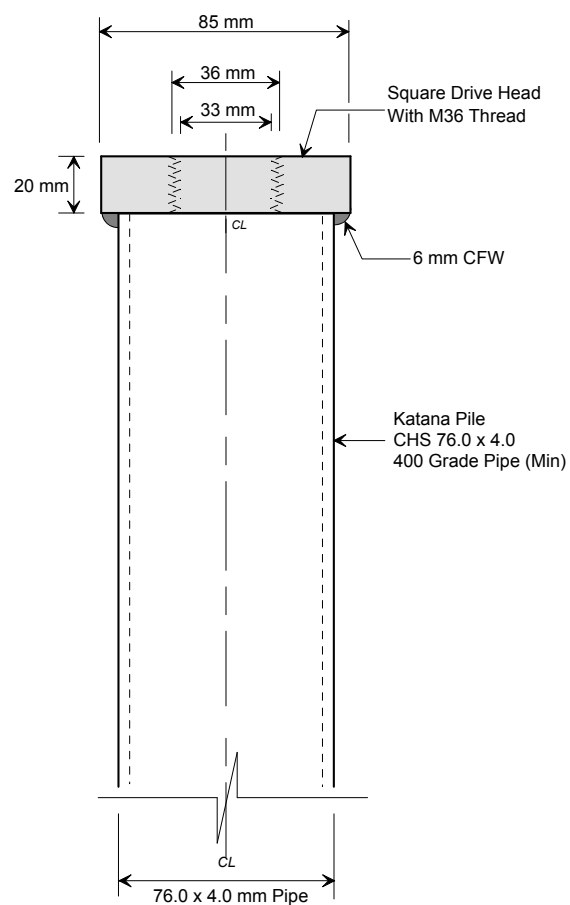


**Side View
Pile With Extension**

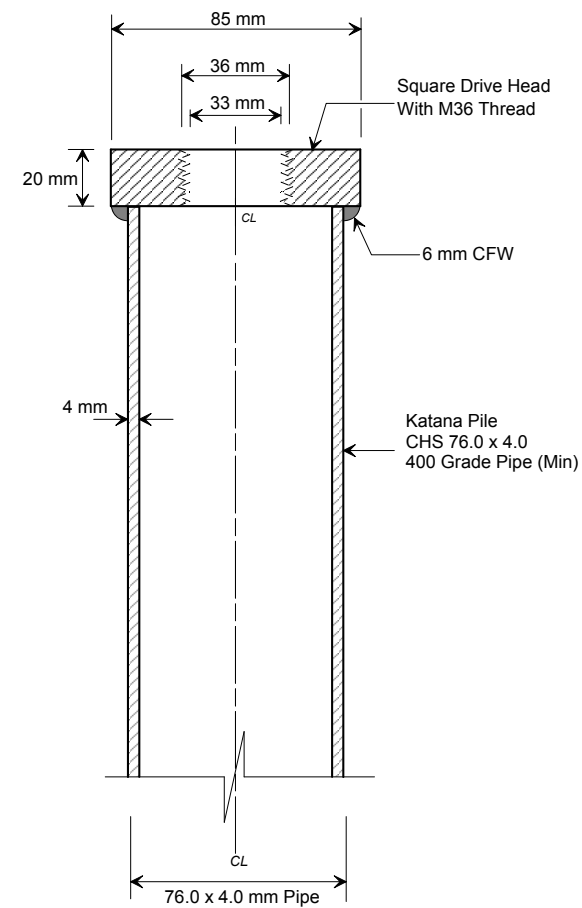
Typical Katana Pile Specifications



**Side View
Pile Top (No Drive Head)**

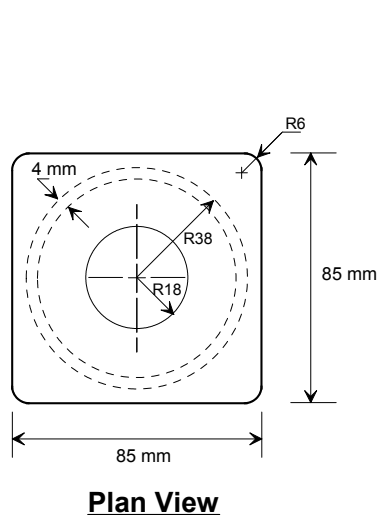


**Side View
Pile Top (with Square Drive Head)**

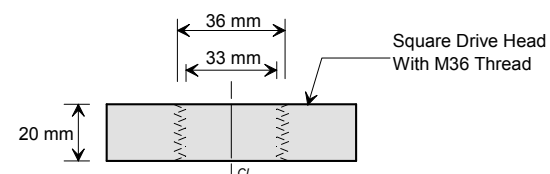


**Section View
Pile Top (with Square Drive Head)**

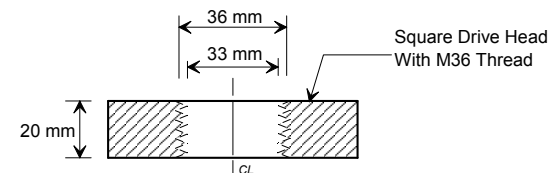
Square Drive Head Details



Plan View



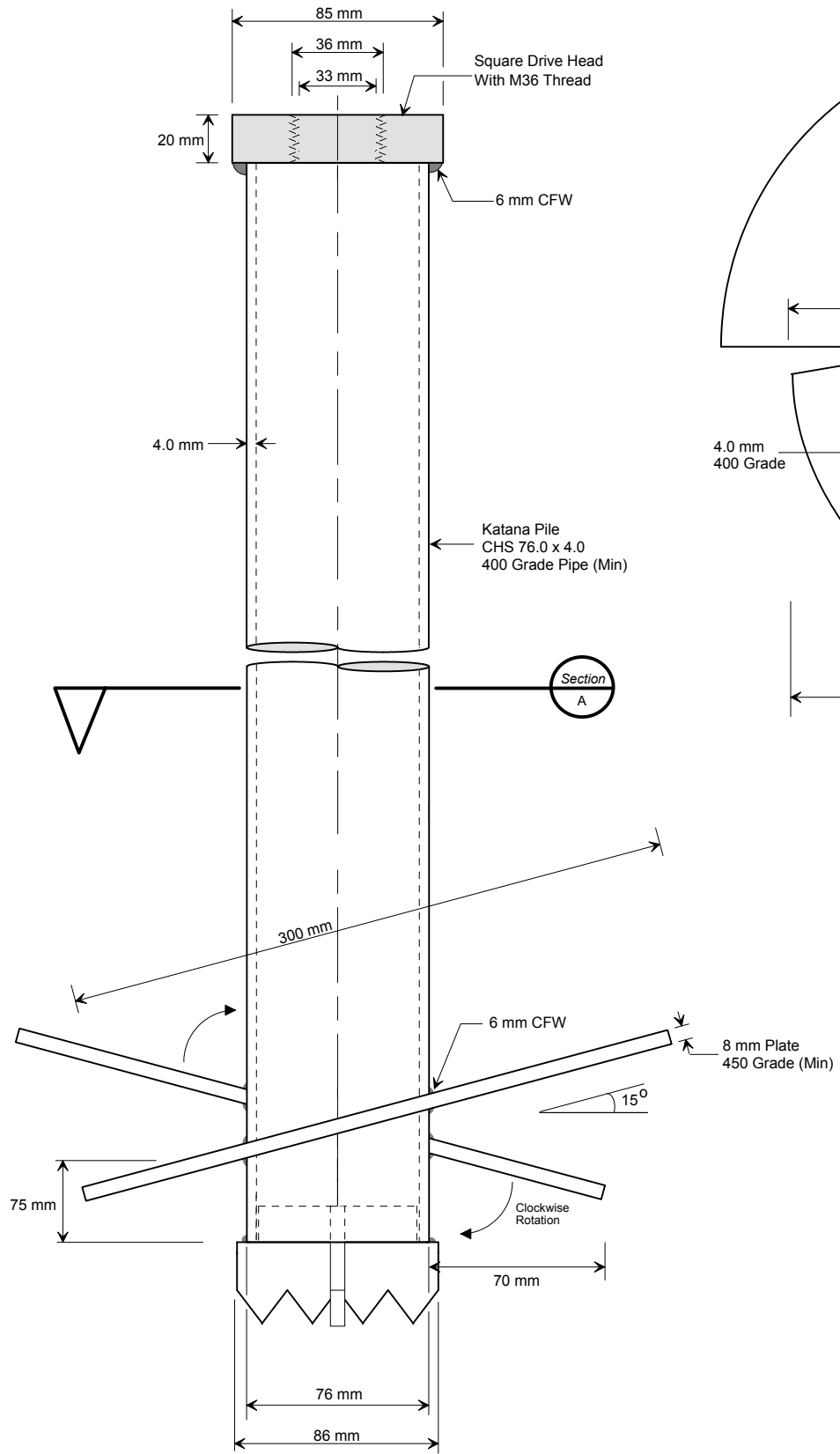
Side View



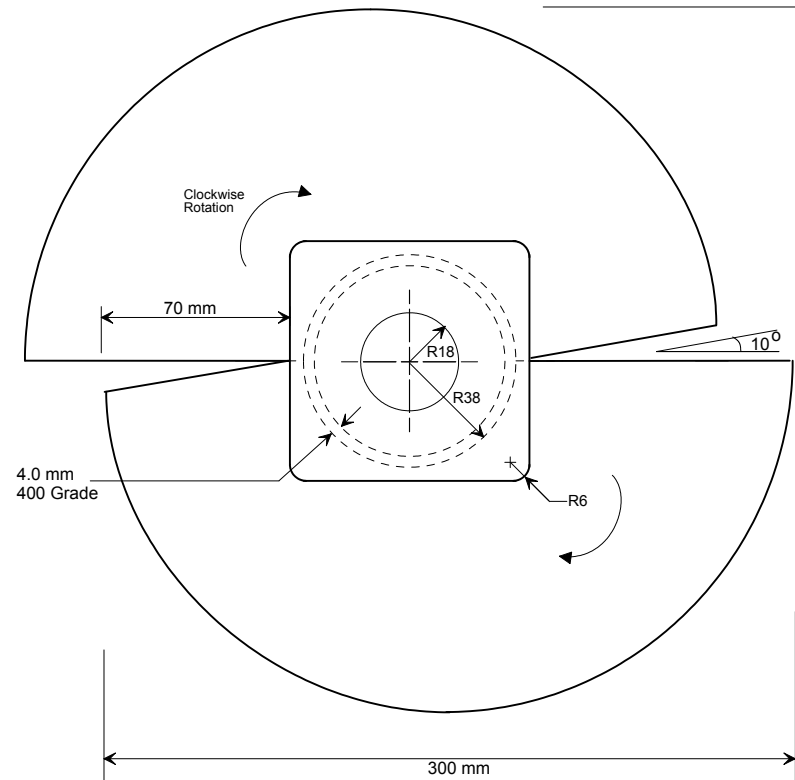
Section View

100 kN Katana Pile

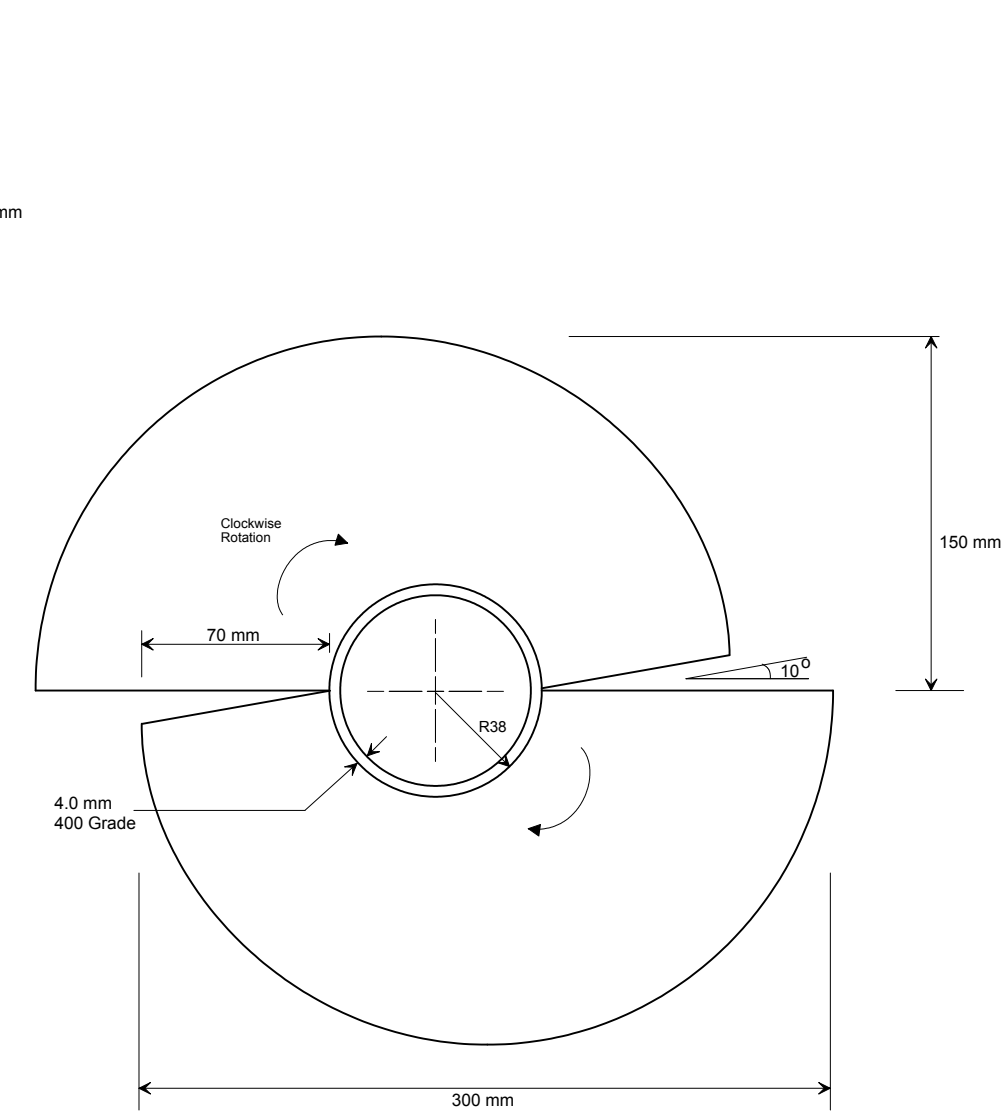
Katana Pile Length as per Engineer Design Requirements
 - 1.995 metre
 - 2.495 metre
 - 2.995metre
 - 3.495 metre
 - 3.995 metre



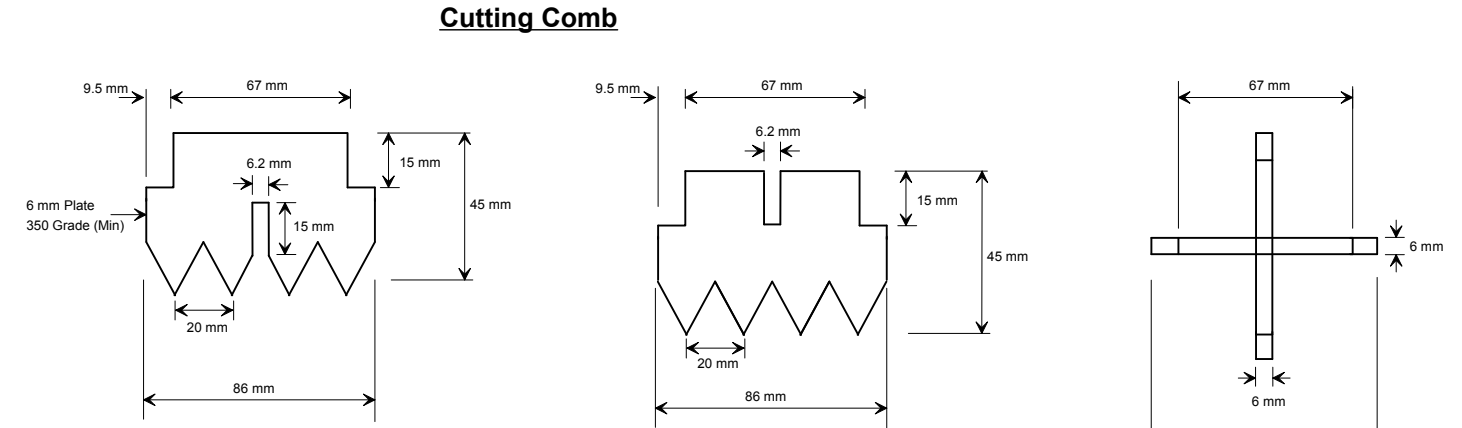
Side View (Pile)



Plan View



Section View



Cutting Comb

Side View

Plan View



BRISBANE (NORTH)
 241 Milton Road
 MILTON, Qld 4064
 Ph: 07 3071 7444
 Fax: 07 3876 2763

BRISBANE (SOUTH)
 1821 Ipswich Road
 ROCKLEA, Qld 4106
 Ph: 07 3071 7444
 Fax: 07 3876 2763

GOLD COAST
 1/486 Scottsdale Drive
 VARSITY LAKES, Qld 4227
 Ph: 07 5522 1995
 Fax: 07 5522 1776

ADELAIDE
 12 Melbourne Street
 NTH ADELAIDE, SA 5006
 Ph: 08 8267 6093
 Fax: 08 8267 6040

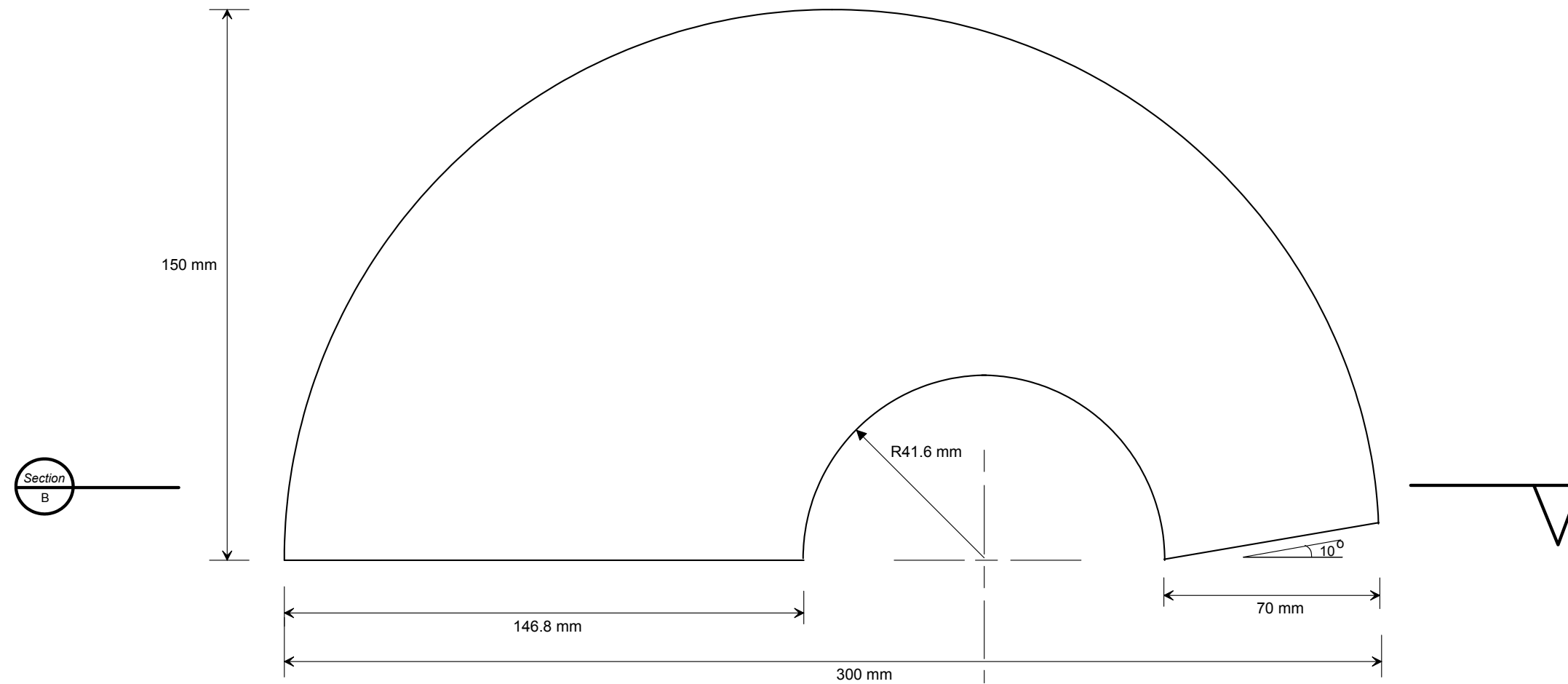
MACKAY
 PO Box 125
 BUSASIA, Qld 4750
 Ph: 07 4960 4800
 Fax: 07 3876 2763

DATE : 1st July, 2015
 DWG NO. : Product Codes

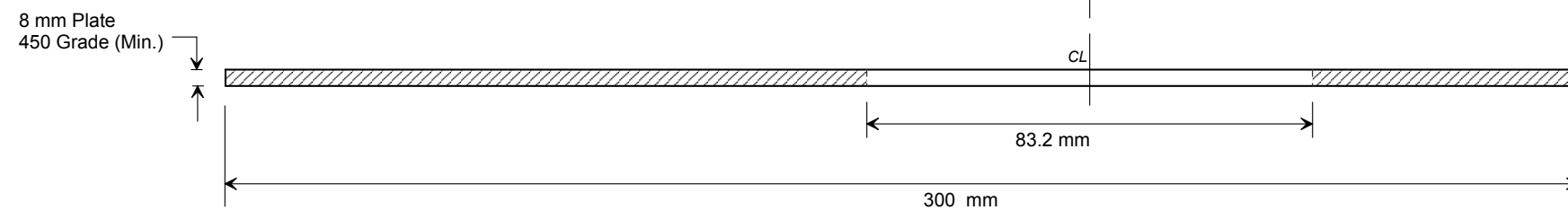
DRAWING TITLE
 Katana Pile Specifications



**Typical Katana Pile 100 kN
Fin Details**

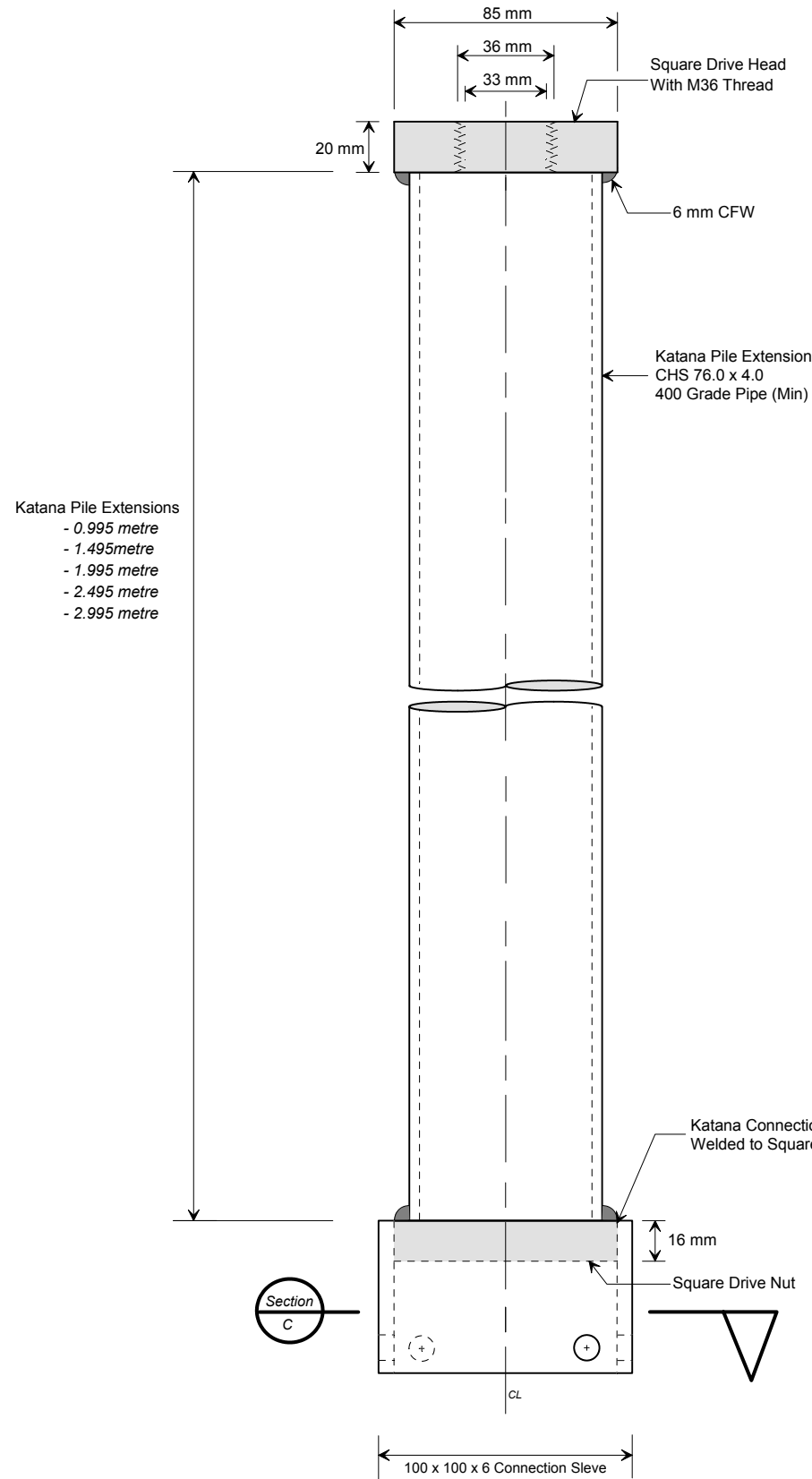


Plan View



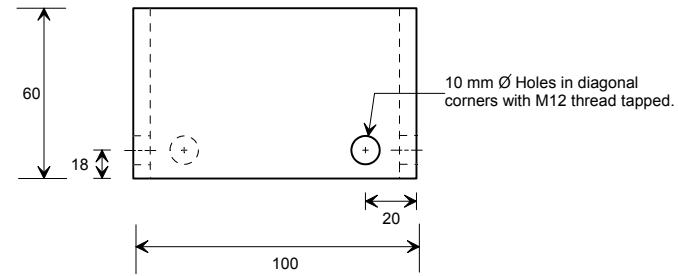
Section View - B

100 kN Katana Pile Specifications Extensions (EXT)

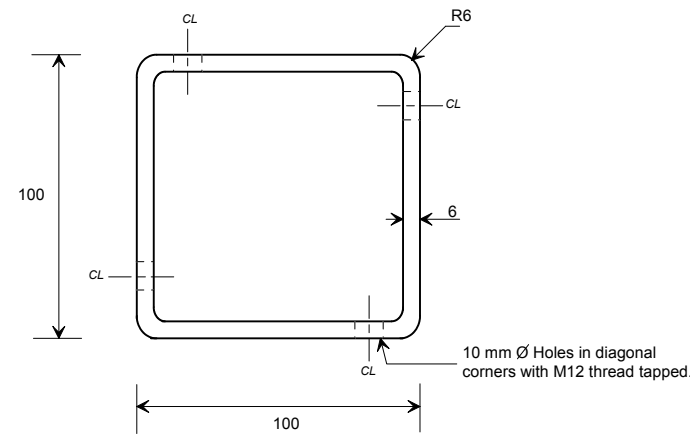


Katana Pile Extensions
 - 0.995 metre
 - 1.495metre
 - 1.995 metre
 - 2.495 metre
 - 2.995 metre

Katana Pile Connection Collar



Side View

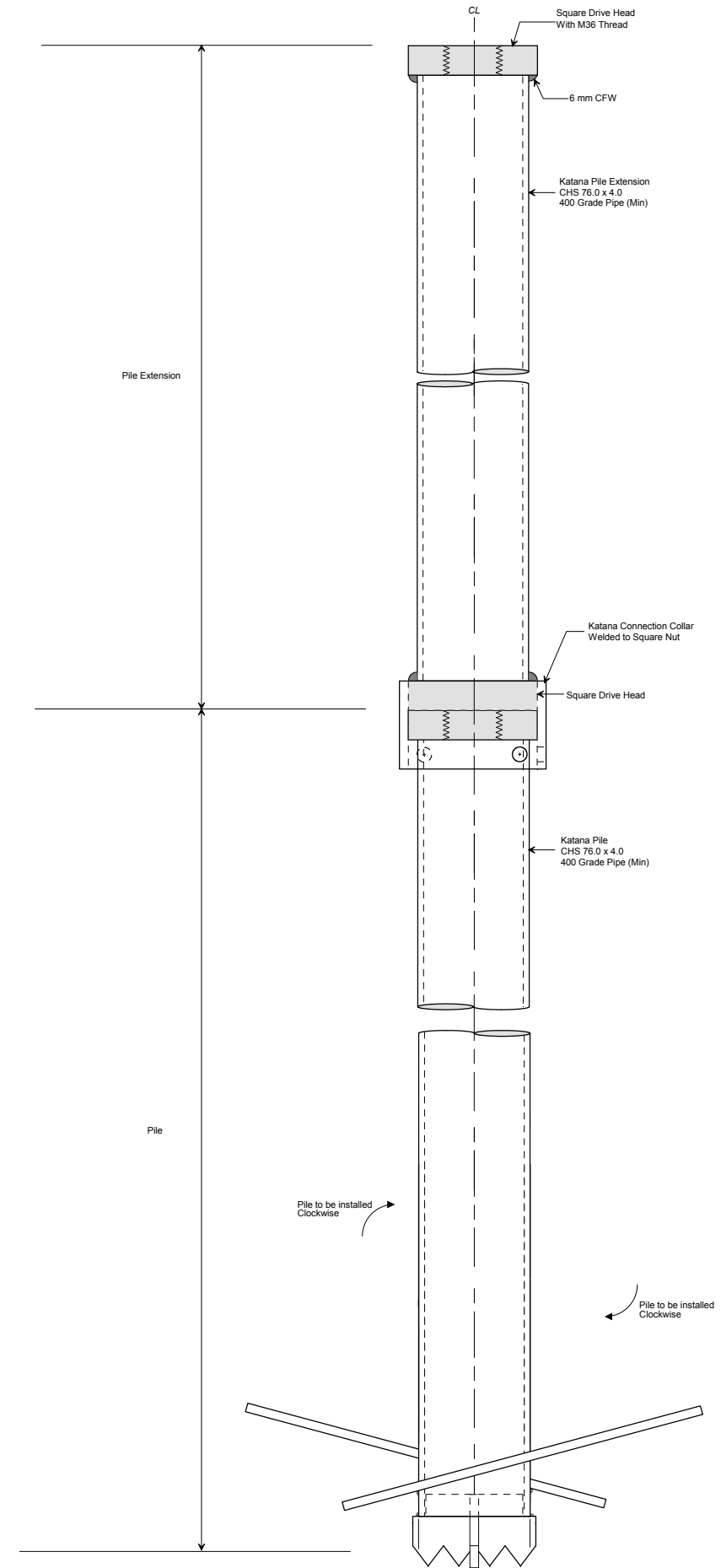


Section C

Katana 100kN Pile Extension Product :

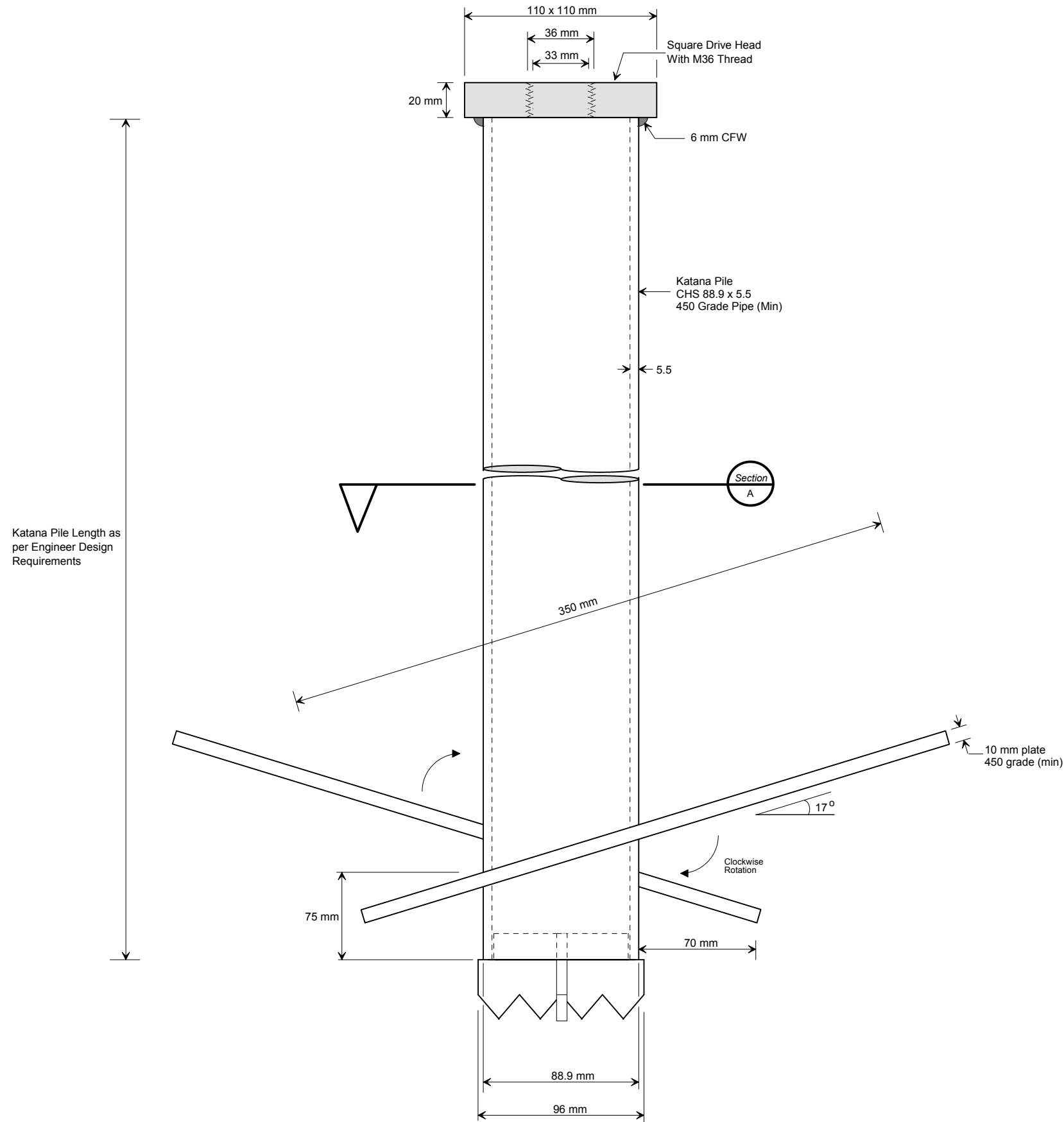
Product Code	Item Description	Pile Length (m)
10EXT-010	100 kN Pile Extension, CHS 76 x 4.0 wall - 400 Grade	0.995
10EXT-015	100 kN Pile Extension, CHS 76 x 4.0 wall - 400 Grade	1.495
10EXT-020	100 kN Pile Extension, CHS 76 x 4.0 wall - 400 Grade	1.995
10EXT-025	100 kN Pile Extension, CHS 76 x 4.0 wall - 400 Grade	2.495
10EXT-030	100 kN Pile Extension, CHS 76 x 4.0 wall - 400 Grade	2.995

Side View
Pile Extension

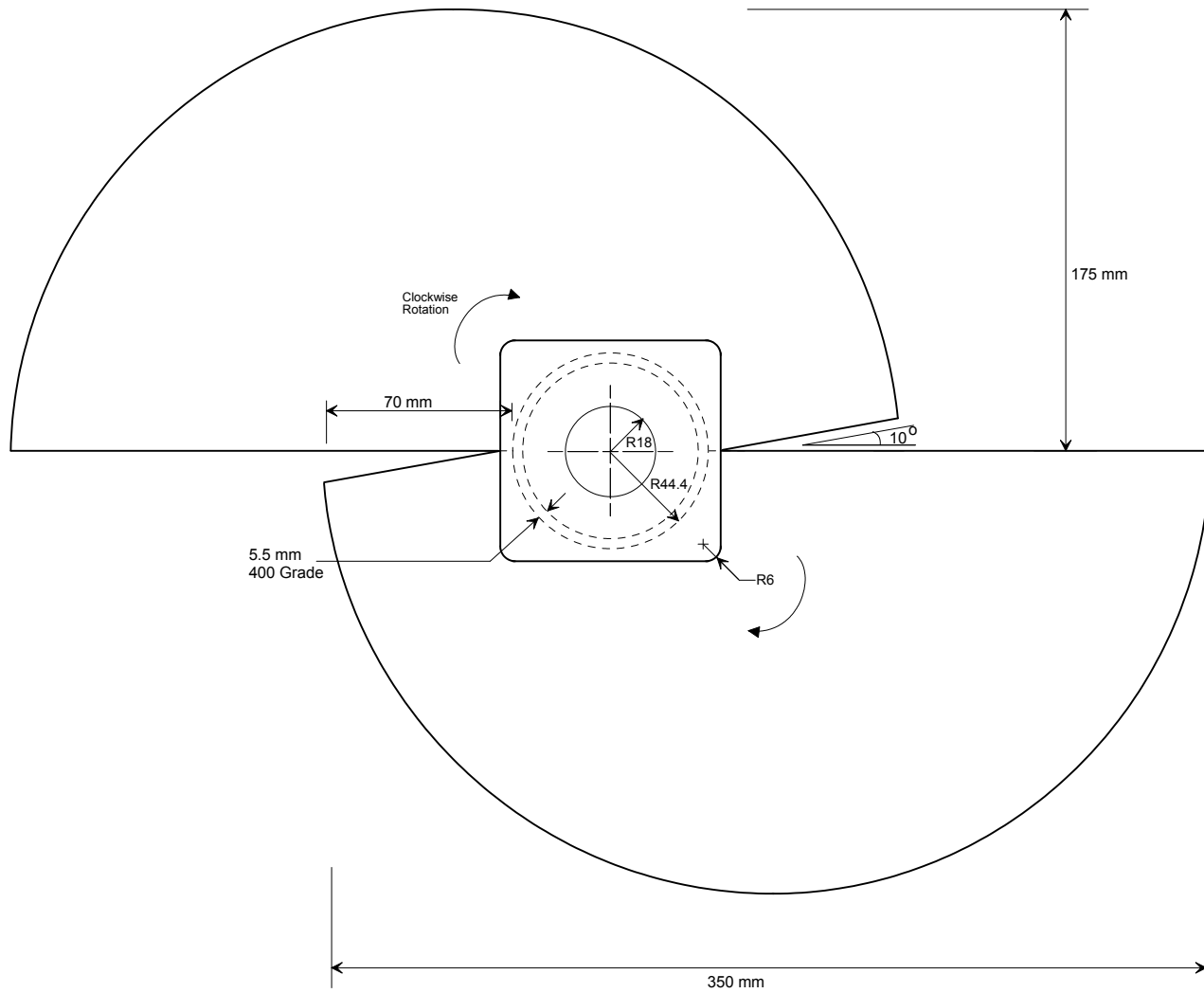


Side View
Pile With Extension

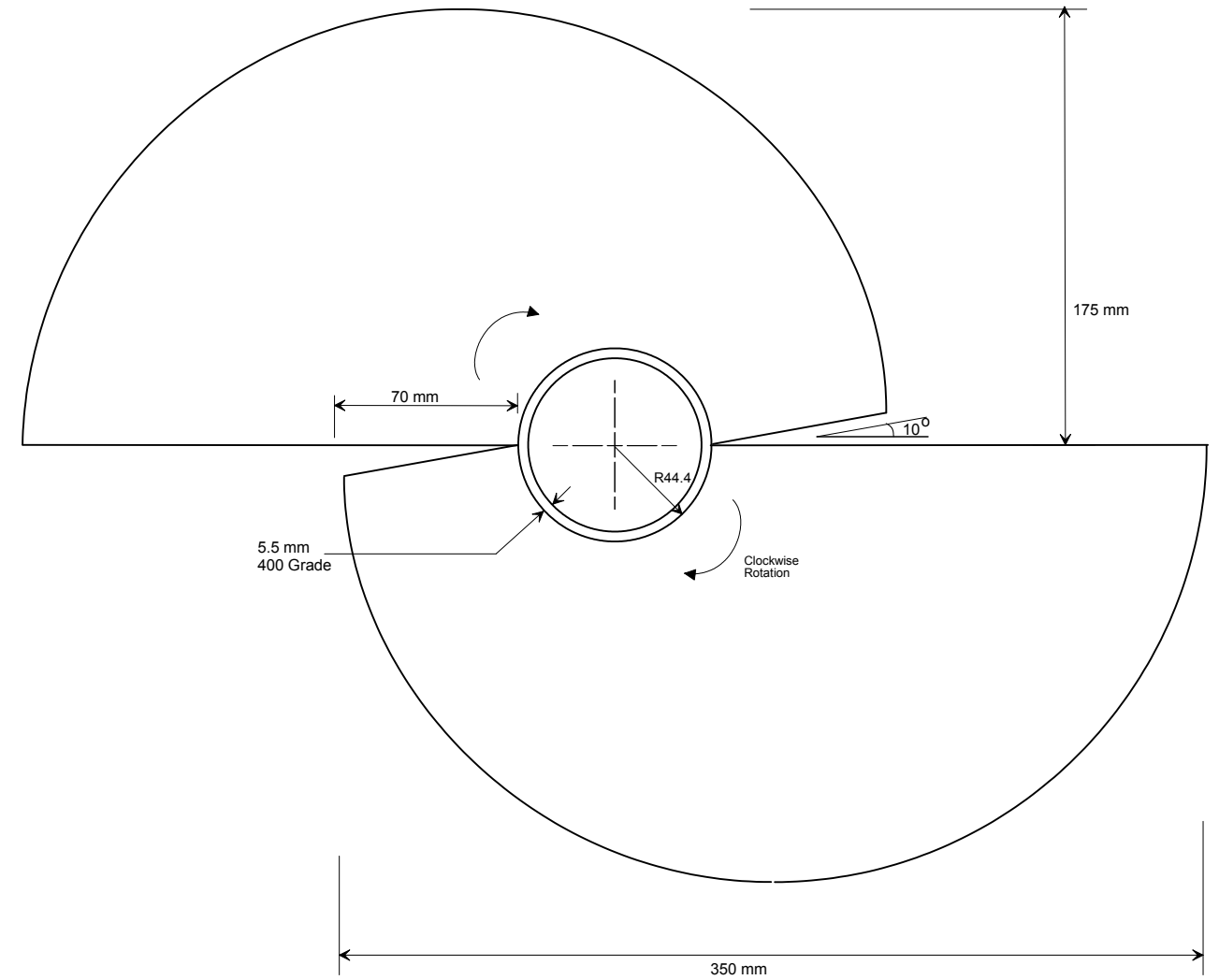
Katana Pile Specifications
150 kN Capacity



Katana Pile Helix Specifications
150kN Capacity



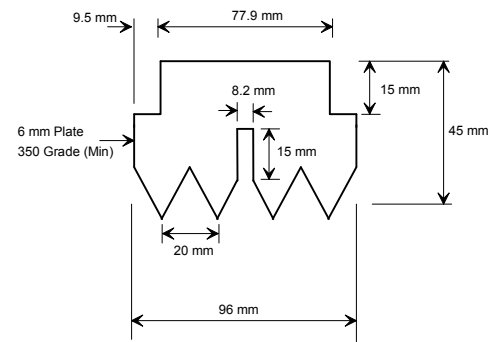
Plan View



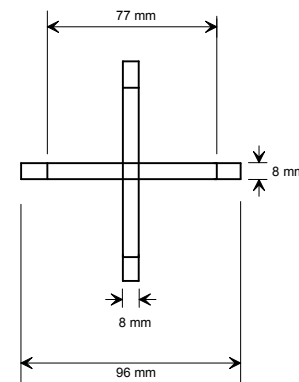
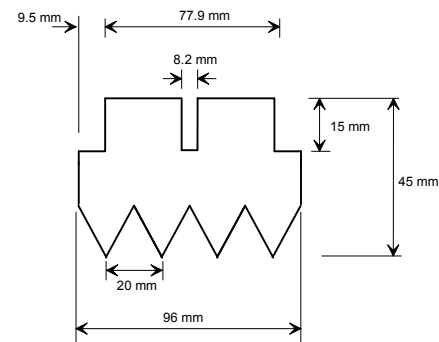
Section A-A

Square Drive Head Details

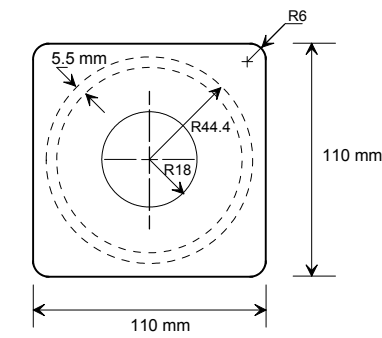
Katana Pile Cutting Comb Specifications
150kN Capacity



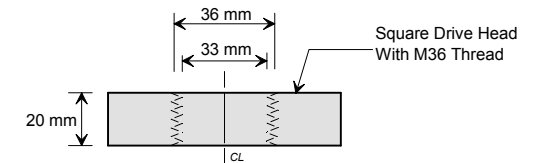
Side View



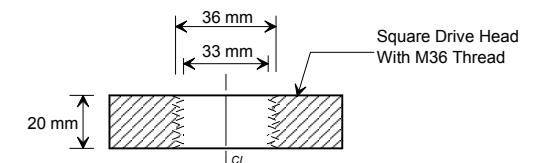
Plan View



Plan View

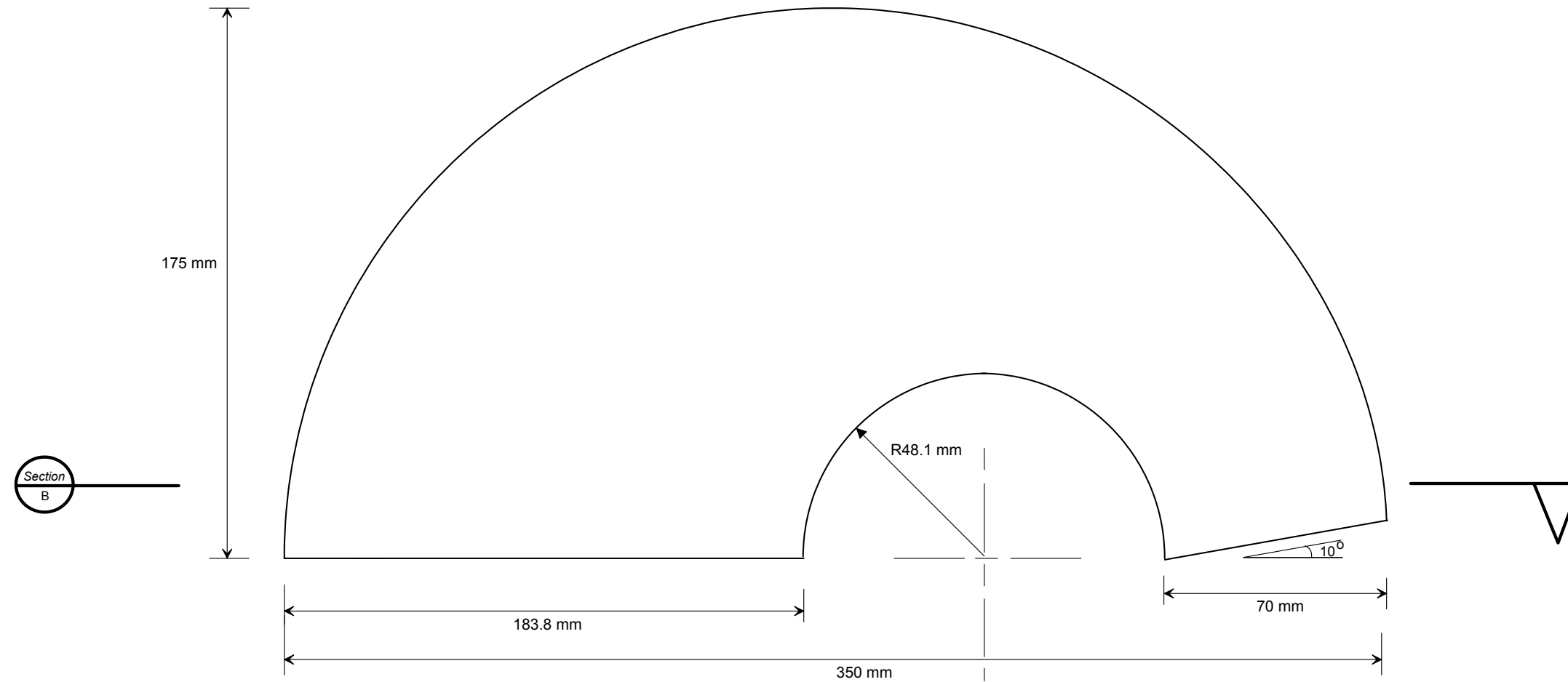


Side View

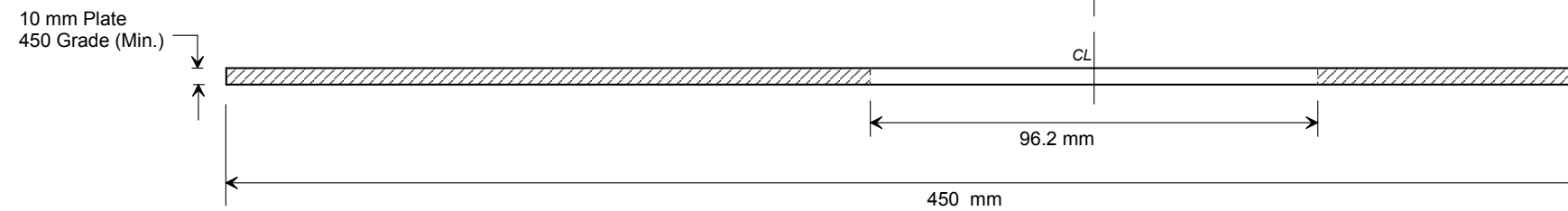


Section View

**Typical 150kN Katana Pile
Fin Details**

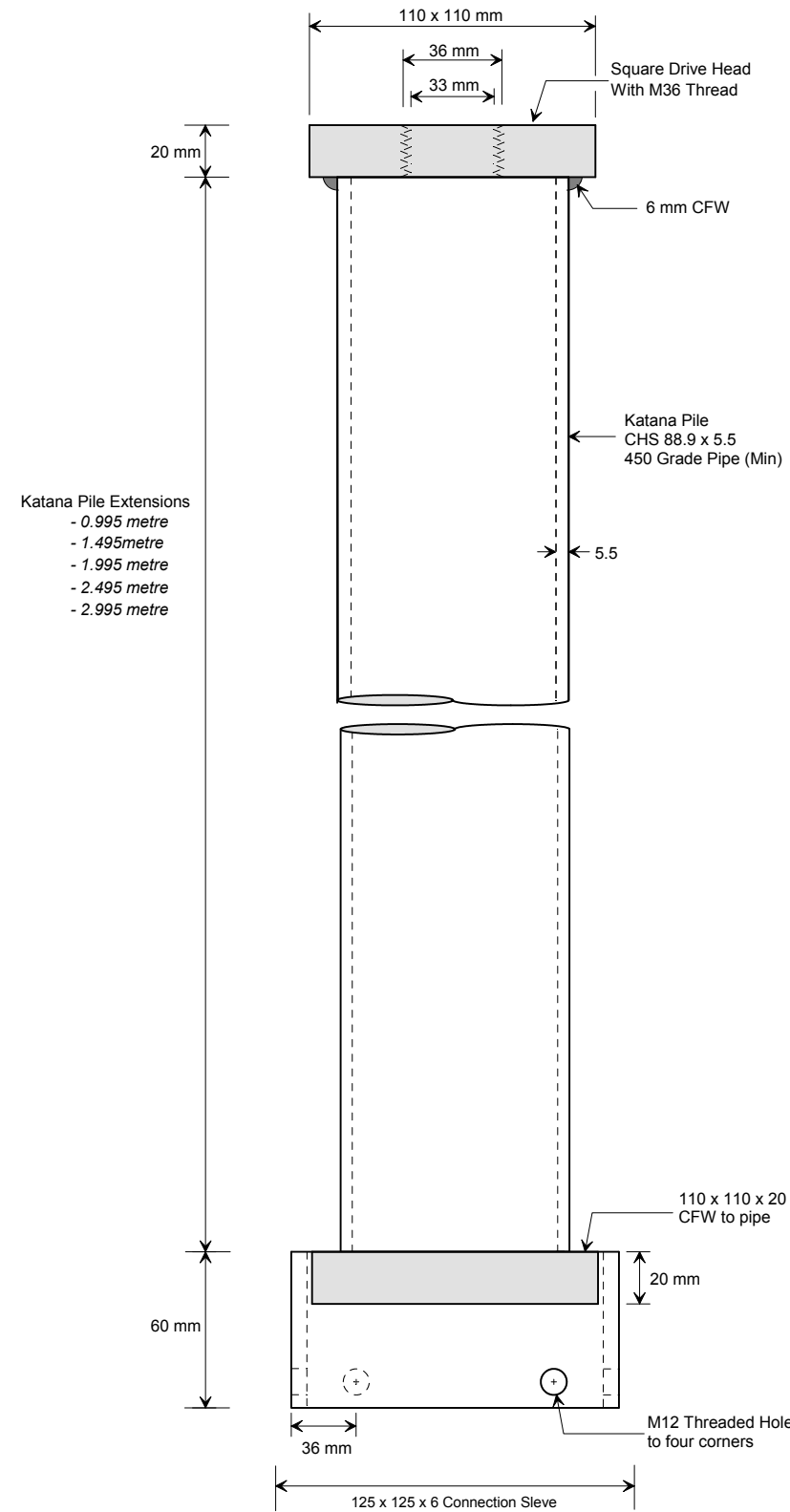


Plan View

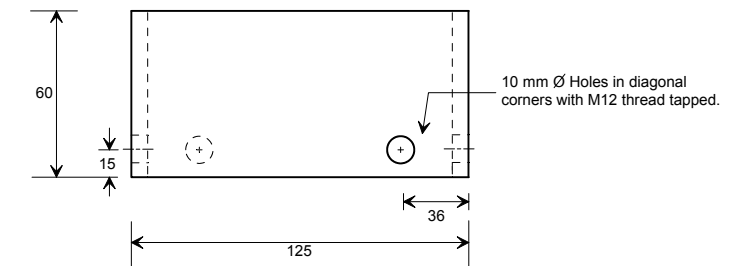


Section View - B

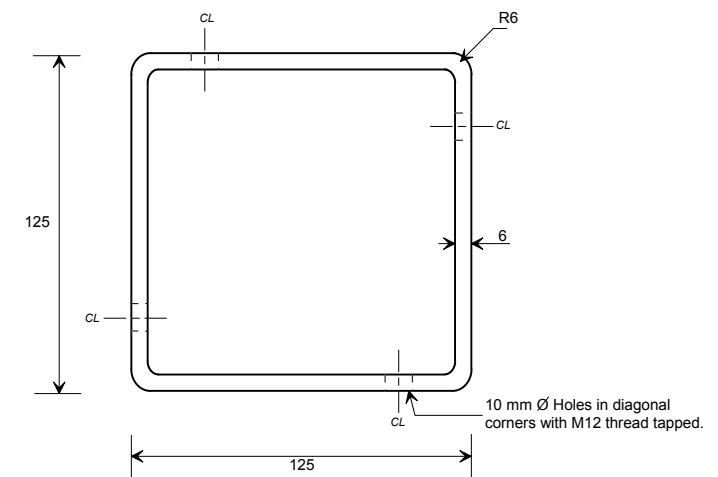
Katana Pile Extension 150 kN Capacity



Katana Pile Connection Collar



Side View

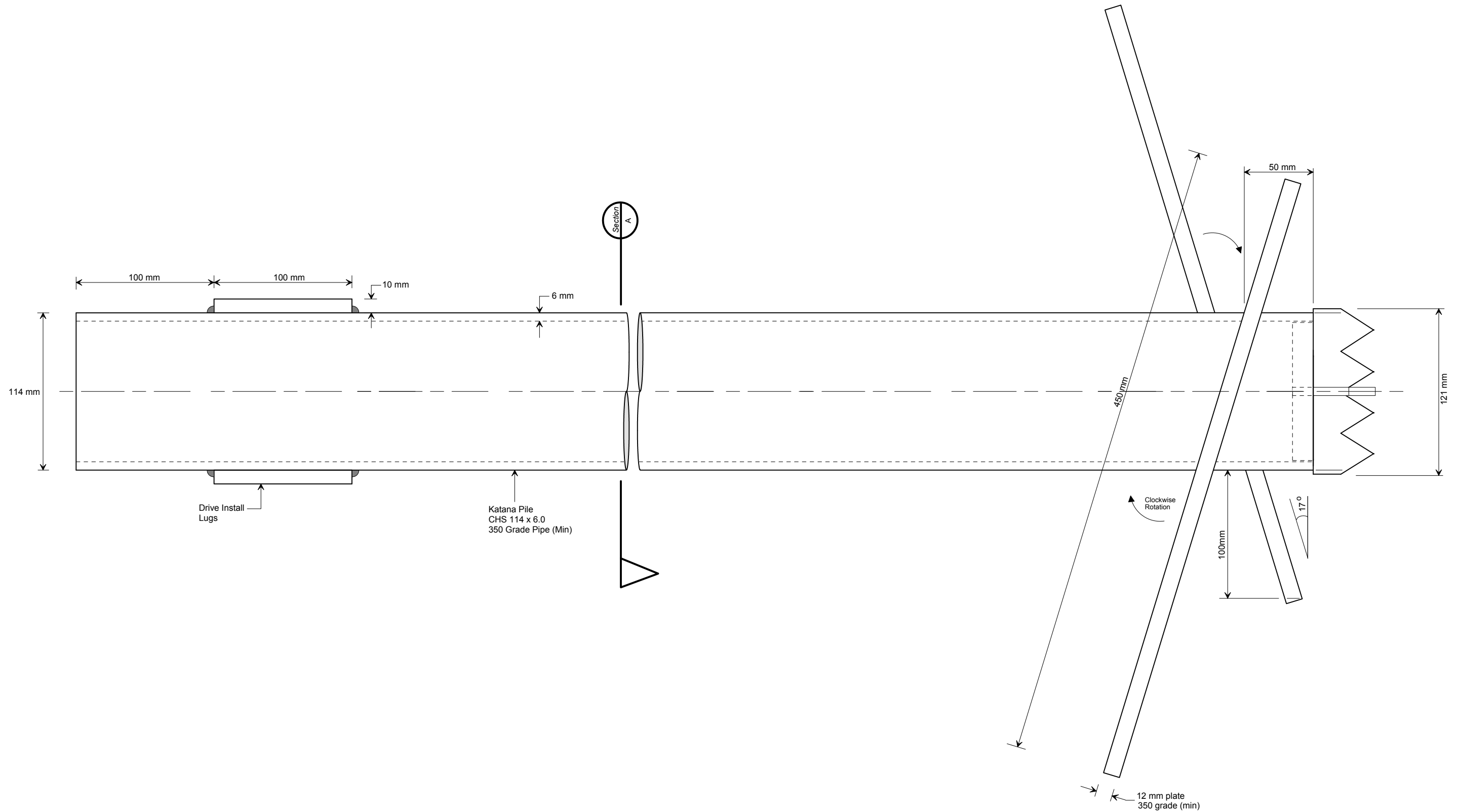


Section C

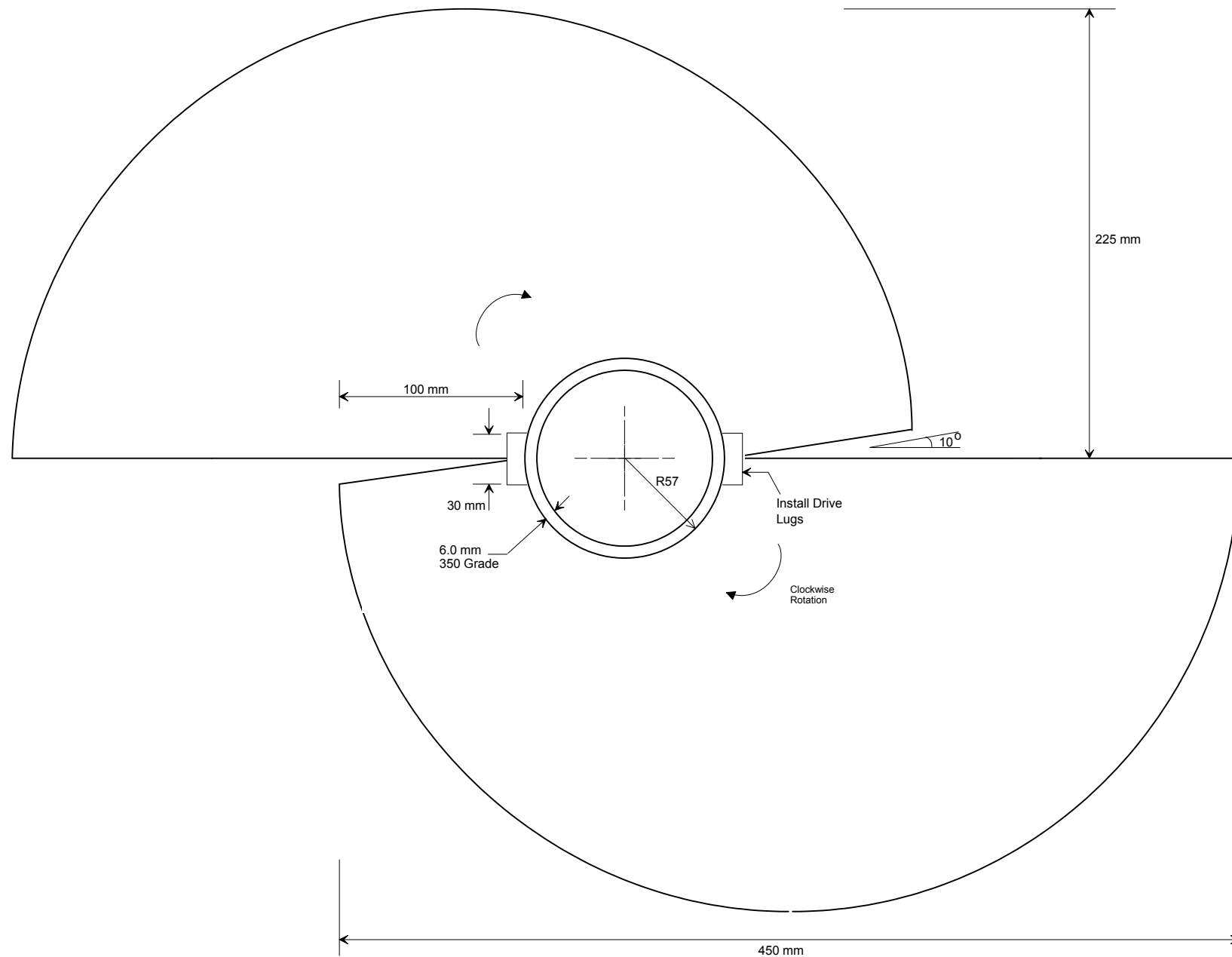
Katana 150kN Pile Extension Product :

Product Code	Item Description	Pile Length (m)
15EXT-010	150 kN Pile, CHS 88.9 x 5.5 wall - 400 Grade	0.995
15EXT-015	150 kN Pile, CHS 88.9 x 5.5 wall - 400 Grade	1.495
15EXT-020	150 kN Pile, CHS 88.9 x 5.5 wall - 400 Grade	1.995
15EXT-025	150 kN Pile, CHS 88.9 x 5.5 wall - 400 Grade	2.495
15EXT-030	150 kN Pile, CHS 88.9 x 5.5 wall - 400 Grade	2.995

Katana Pile Specifications
250 kN Capacity

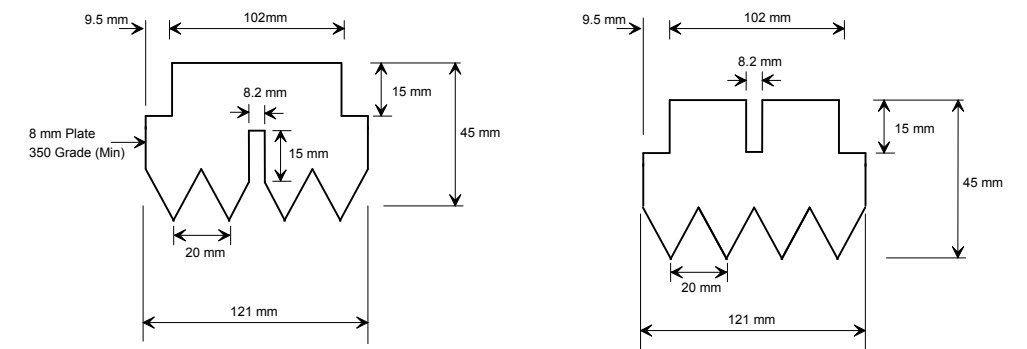


Katana Pile Specifications
250 kN Capacity

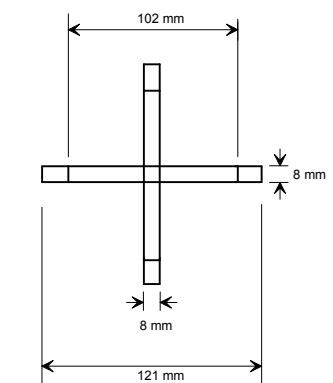


Section A-A

250 kN Pile Cutting Comb Specifications

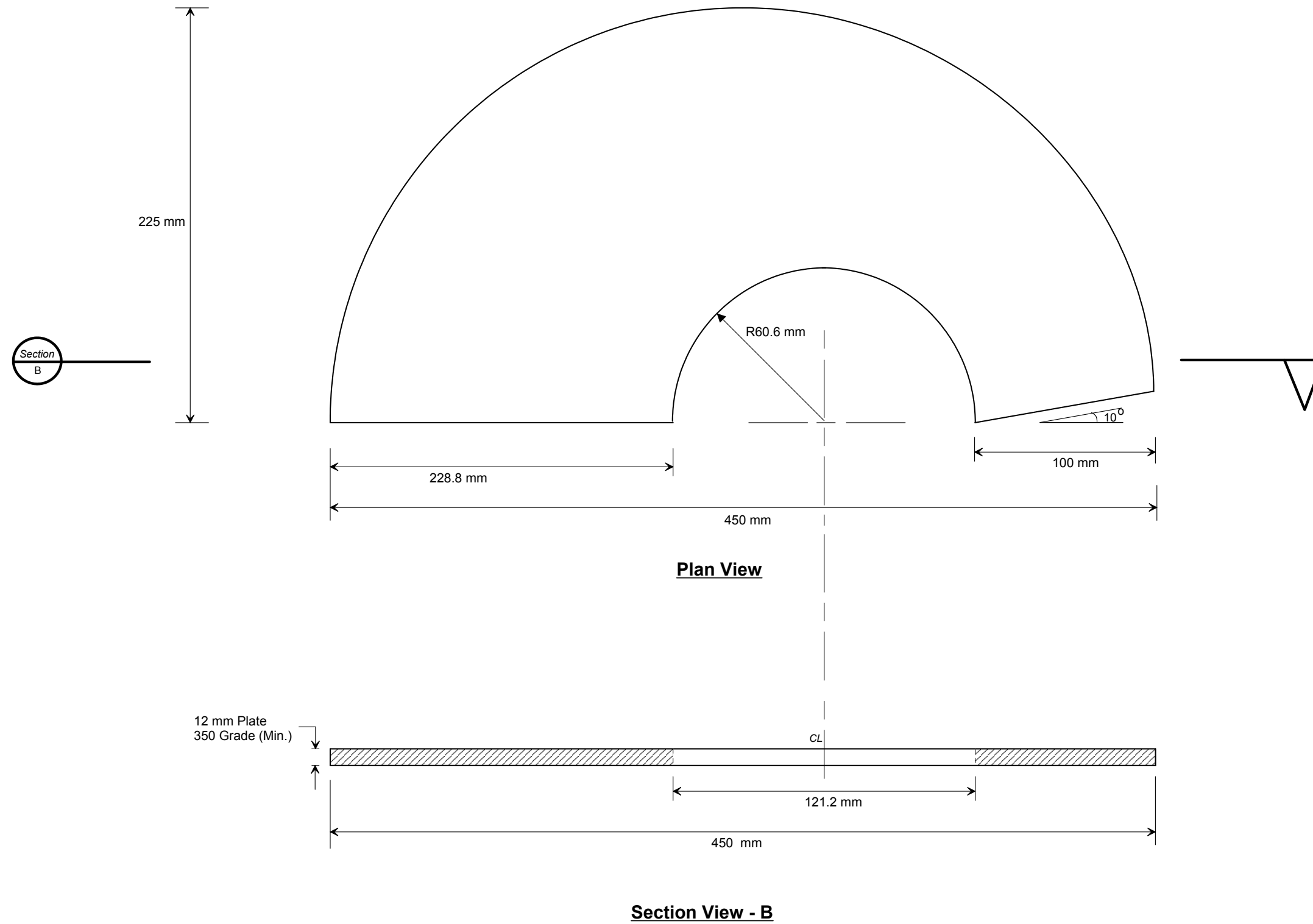


Side View

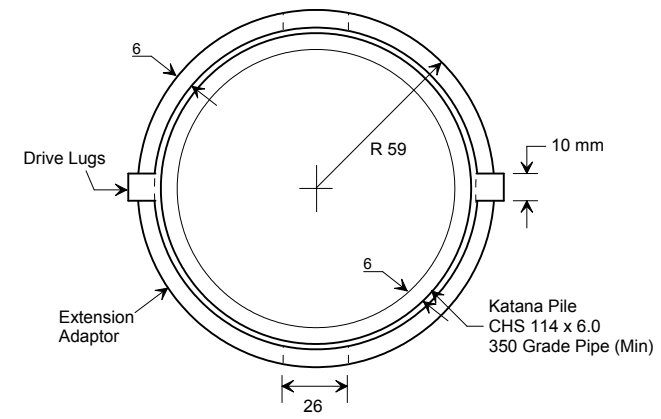
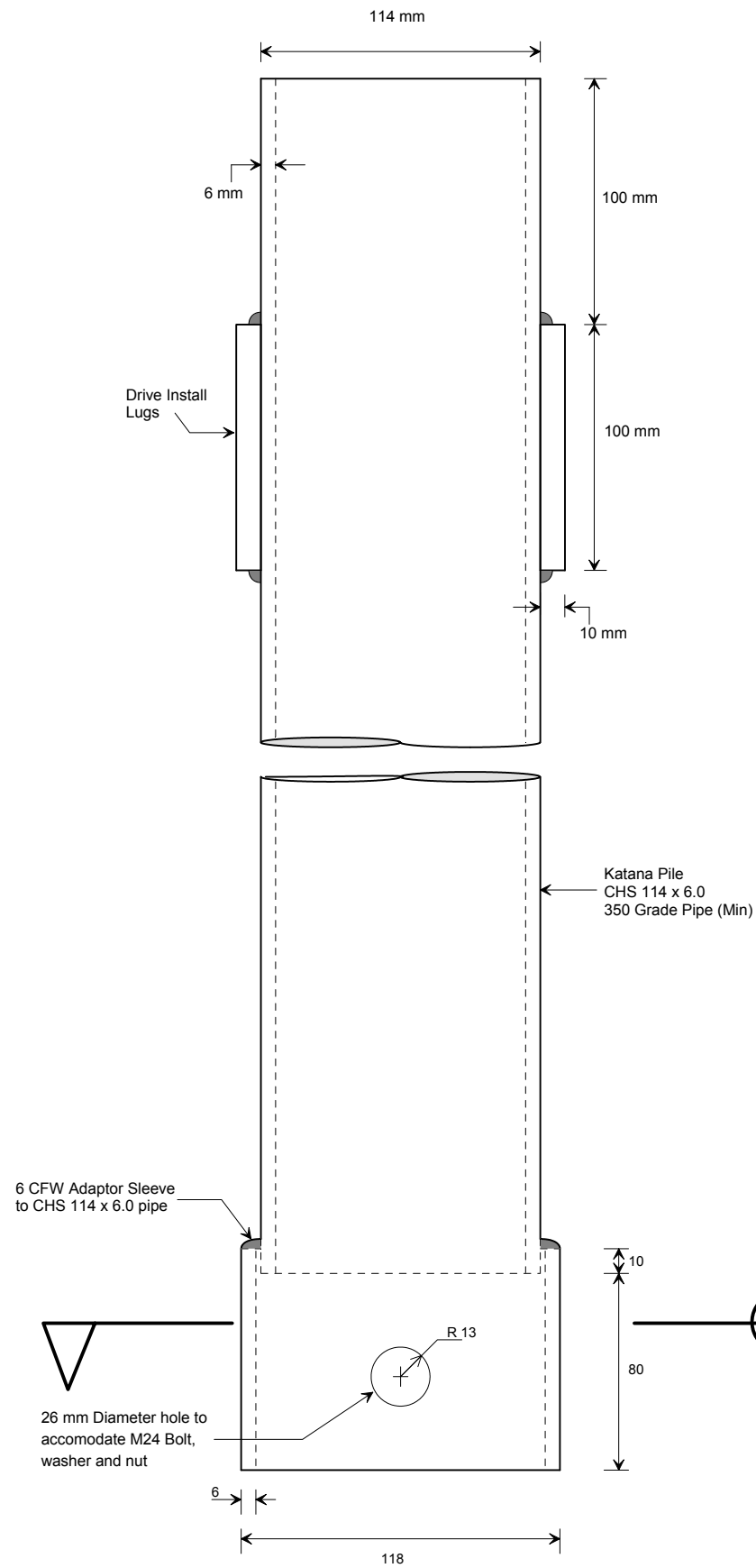


Plan View

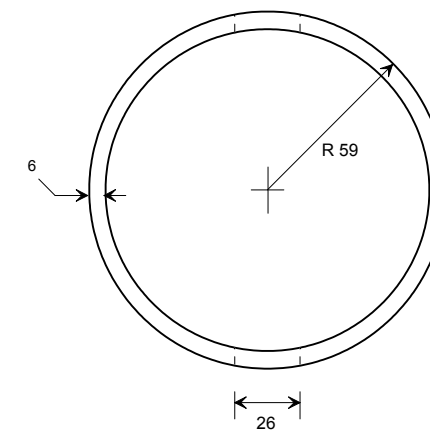
Typical Helix Details
250 kN Pile



Katana Pile Extension 250 kN Capacity



Plan View

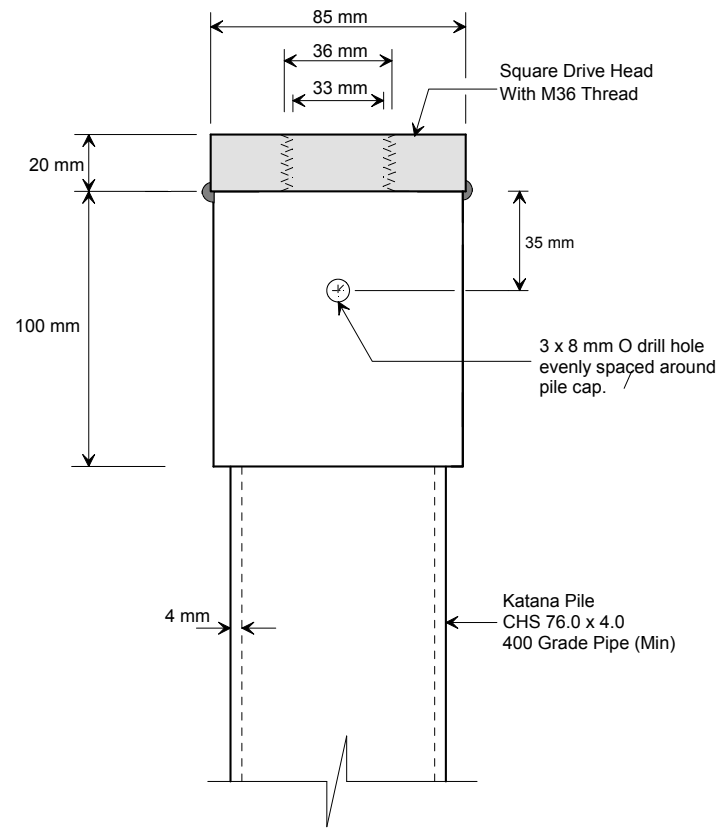


Section B - B

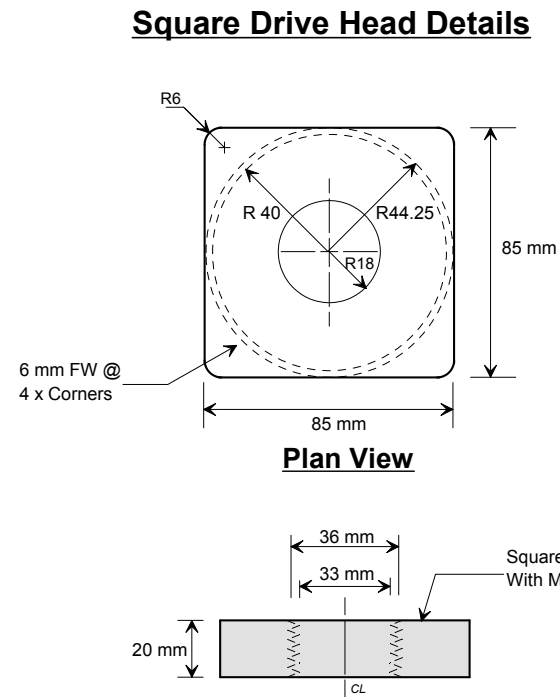
Katana 250kN Pile Extension Product :

Product Code	Item Description	Pile Length (m)
25EXT-010	250 kN Pile, CHS 114 x 6.0 wall - 400 Grade	1.0
25EXT-015	250 kN Pile, CHS 114 x 6.0 wall - 400 Grade	1.5
25EXT-020	250 kN Pile, CHS 114 x 6.0 wall - 400 Grade	2.0
25EXT-025	250 kN Pile, CHS 114 x 6.0 wall - 400 Grade	2.5
25EXT-030	250 kN Pile, CHS 114 x 6.0 wall - 400 Grade	3.0
25EXT-040	250 kN Pile, CHS 114 x 6.0 wall - 400 Grade	4.0

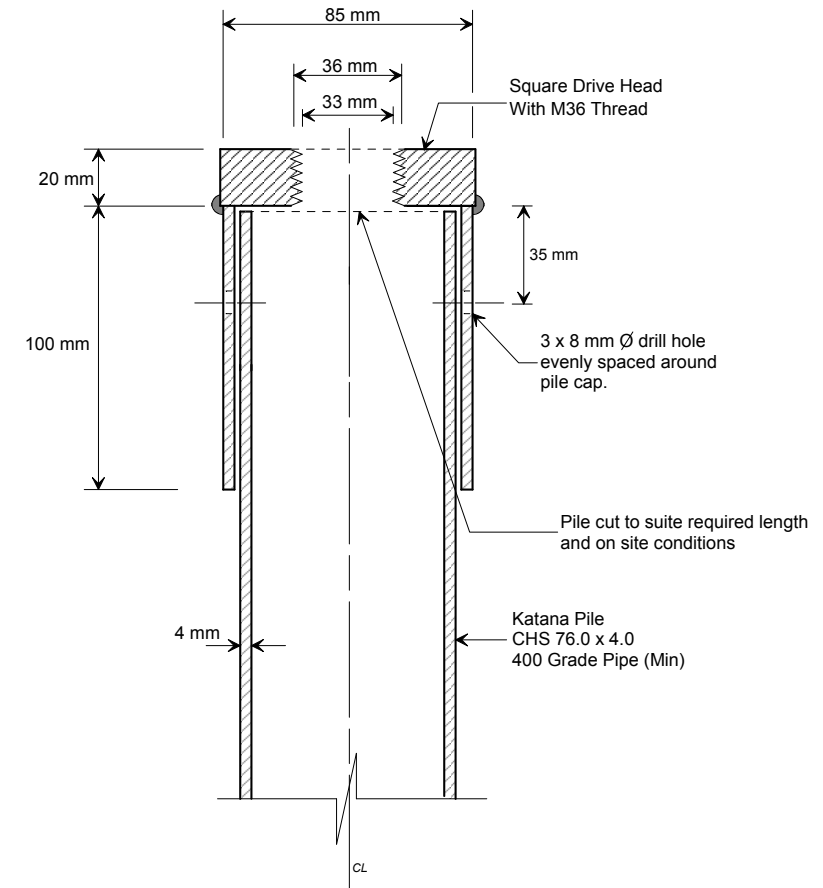
**Katana Pile Specifications
On Site Pile Adaptor (PT)**



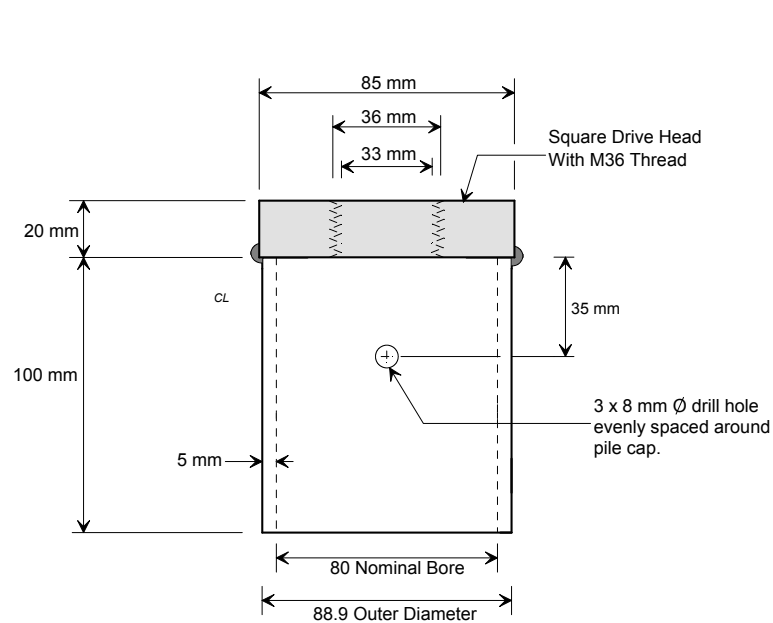
**Side View
Pile with On Site Pile Adaptor**



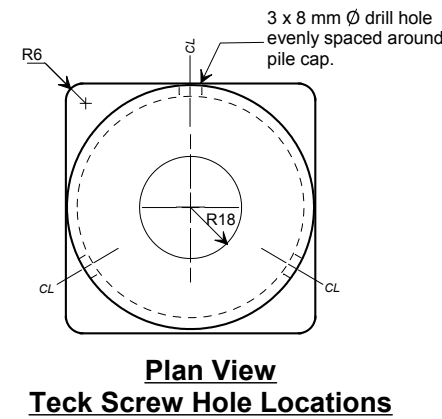
Side View



**Section View
Pile with On Site Pile Adaptor**



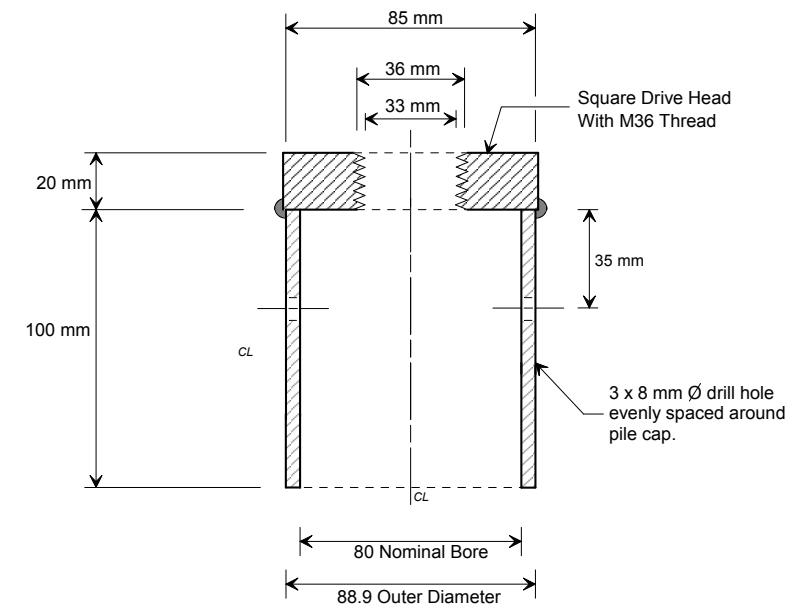
**Side View
Pile Adaptor**



**Plan View
Teck Screw Hole Locations**

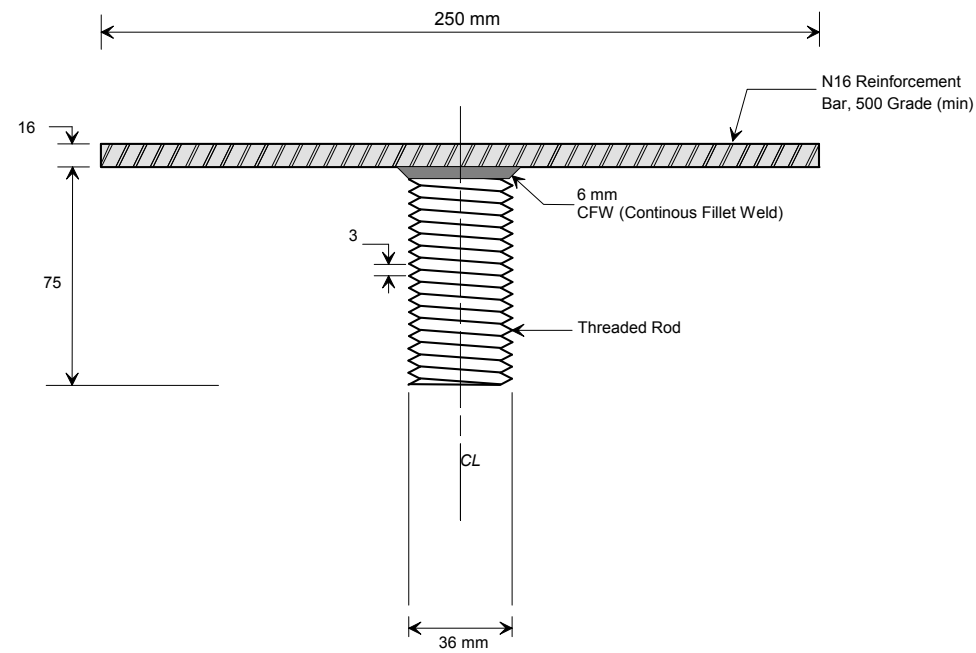
Katana Pile Adaptor Product Guide :

Product Code	Item Description
PT-0100	Pile Adaptor to suite - 80 kN Pile, CHS 76 x 4.0 wall - 400 Grade 100 mm

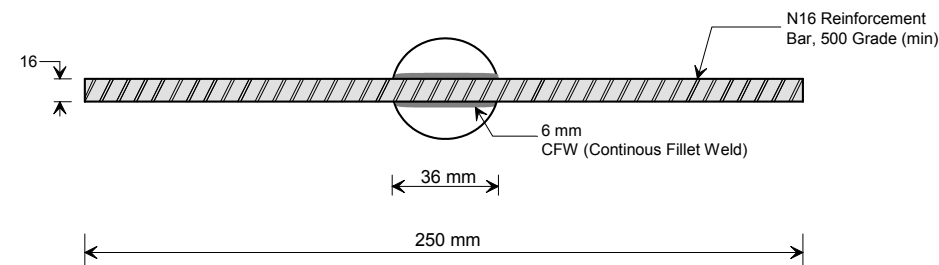


**Section View
Pile Adaptor**

**ADJUSTABLE EDGE BEAM CONNECTOR
Bar Specifications (EC-N16250)**



Side View



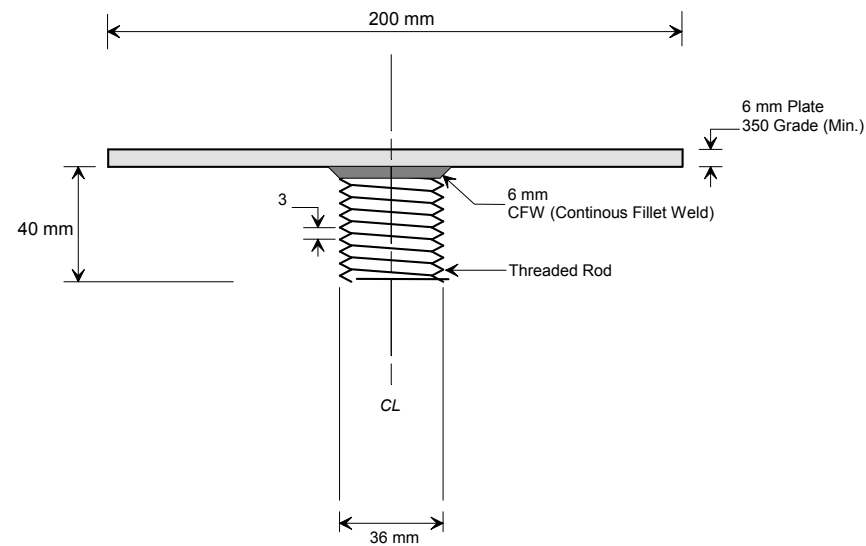
Plan View

Katana Pile Connector Product :

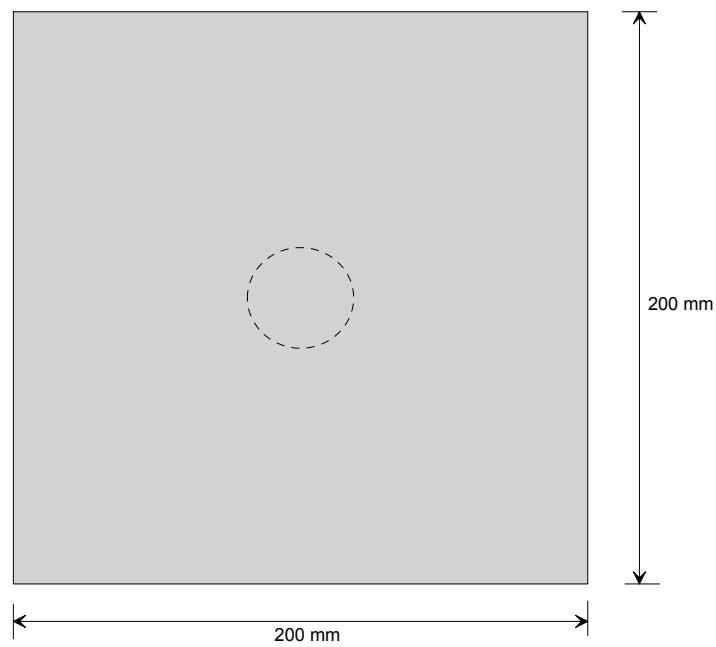
Product Code	Item Description
16EC-250	Edge Beam Connector, 250 N16 Bar 500 Grade, M36 Thread

LOAD TRANSFER PLATE & TYPICAL BEARER PLATE

Adjustable Slab Load Transfer Plate Specifications (SP-200)

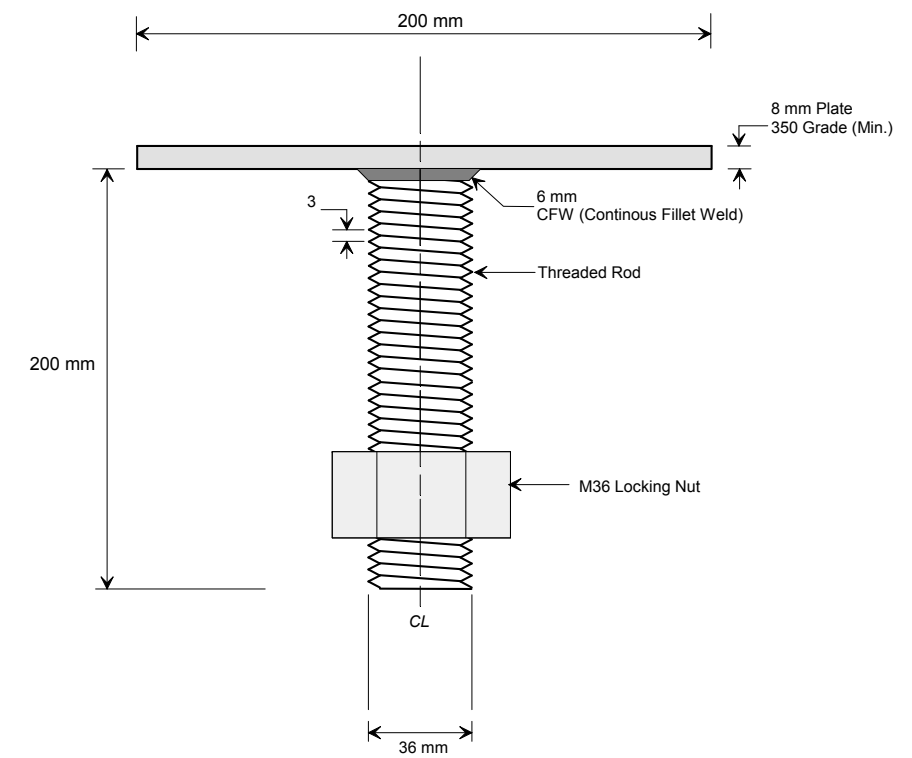


Side View

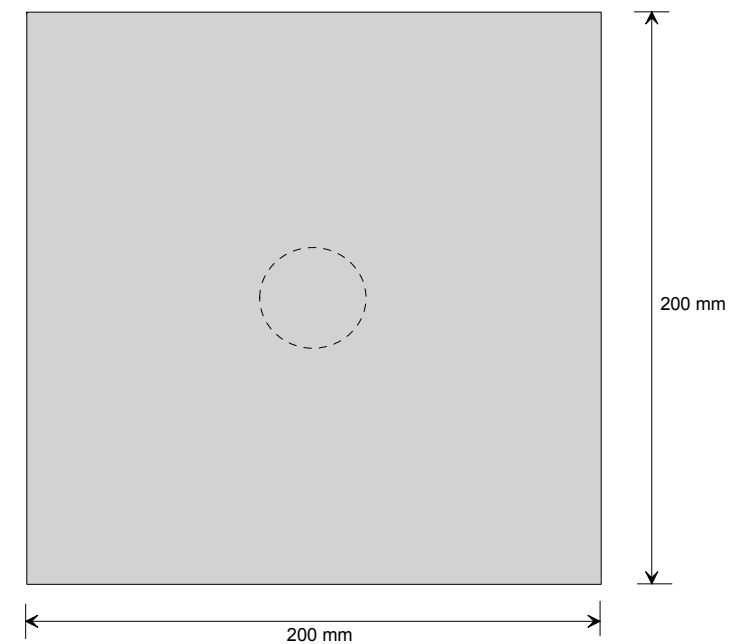


Plan View

Adjustable Bearer Plate Specifications (BPL-200)



Side View



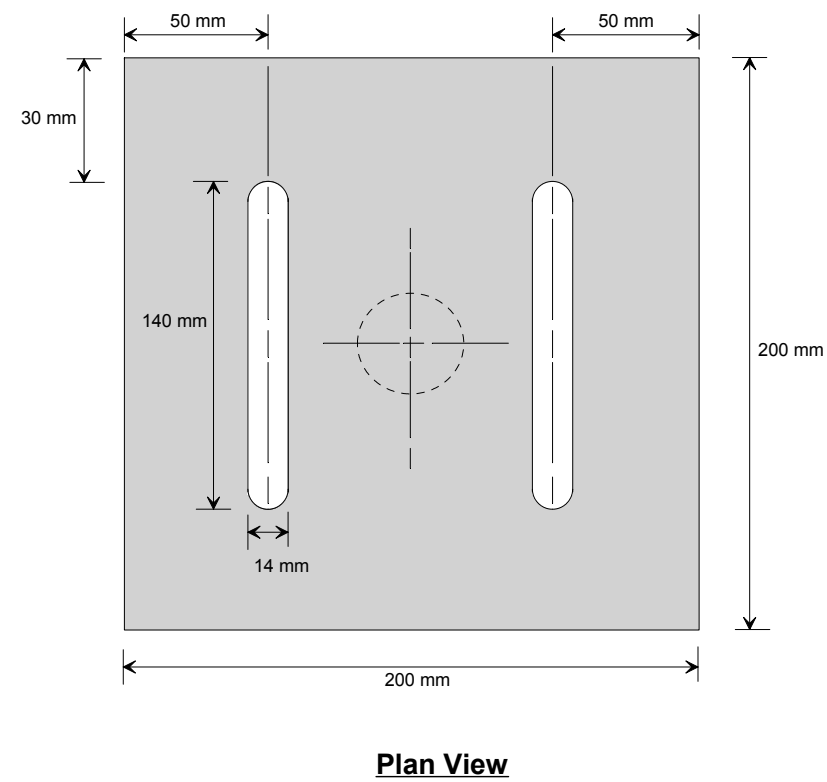
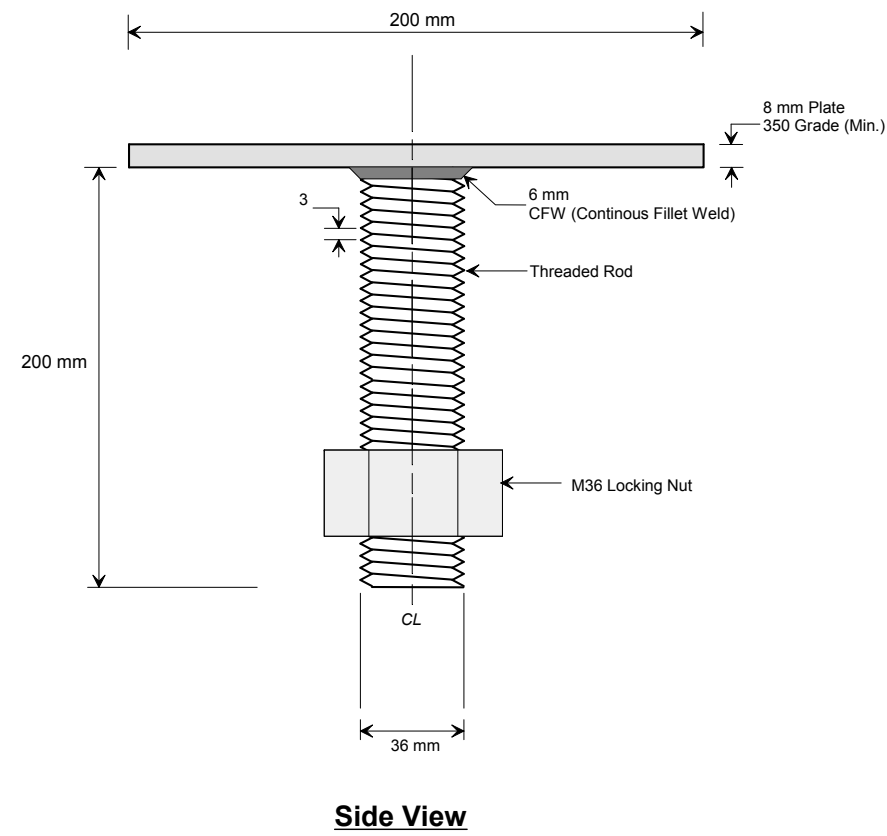
Plan View

Katana Pile Connector Product :

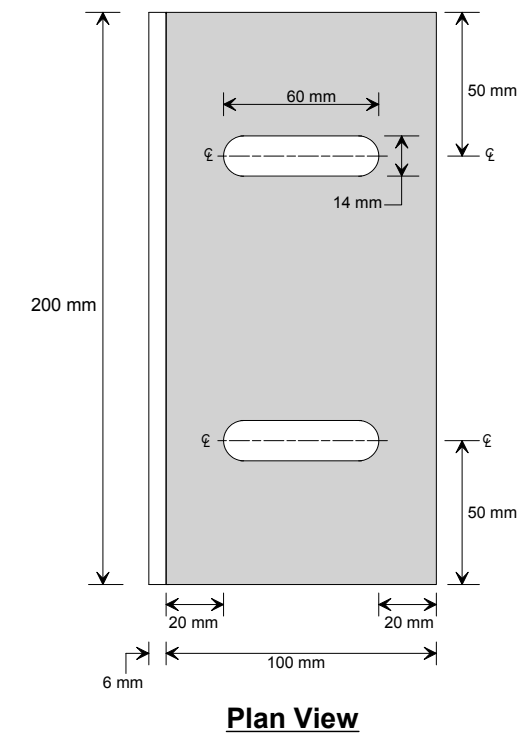
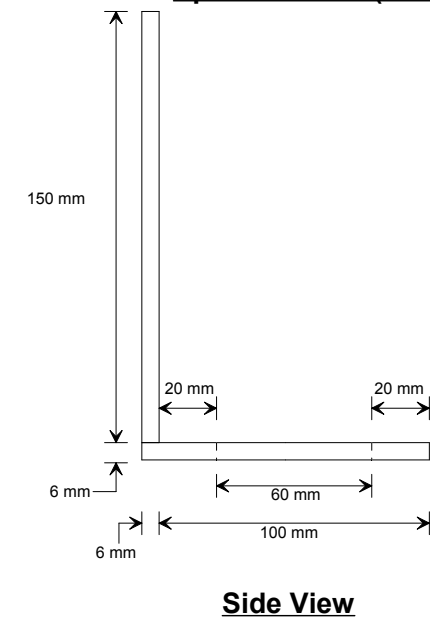
Product Code	Description
SP-200	Slab Load Transfer Plate 200 x 200 x 6, 400 grade, M36 x 40 Thread
BPL-200	Bearer Load Transfer Plate 200 x 200 x 8, 400 grade, M36 x 200 Thread

SLOTTED BEARER PLATE & BEARER CONNECTOR

Slotted Bearer Plate Specifications (BPS-200)



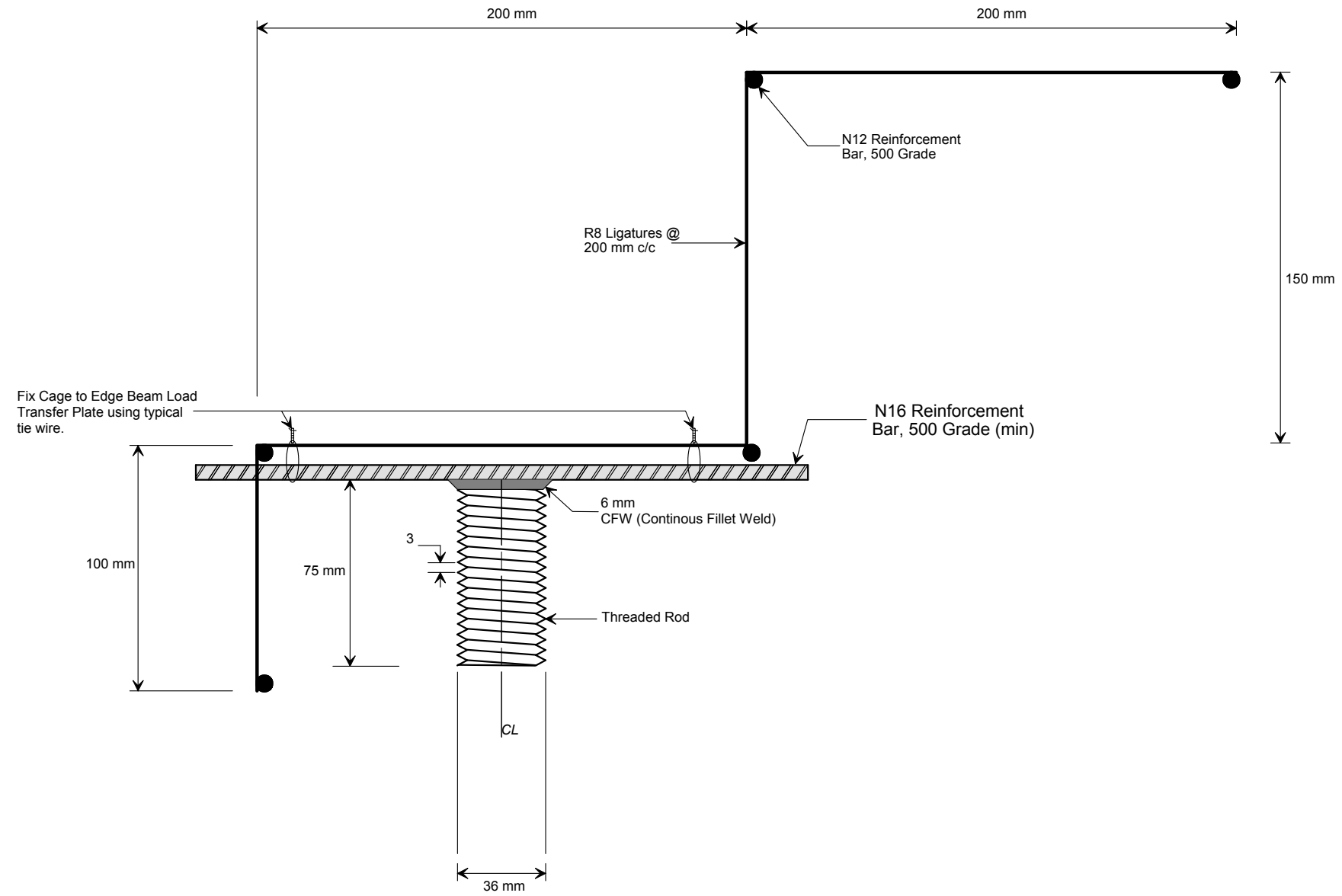
Bearer Connector Specifications (BCS)



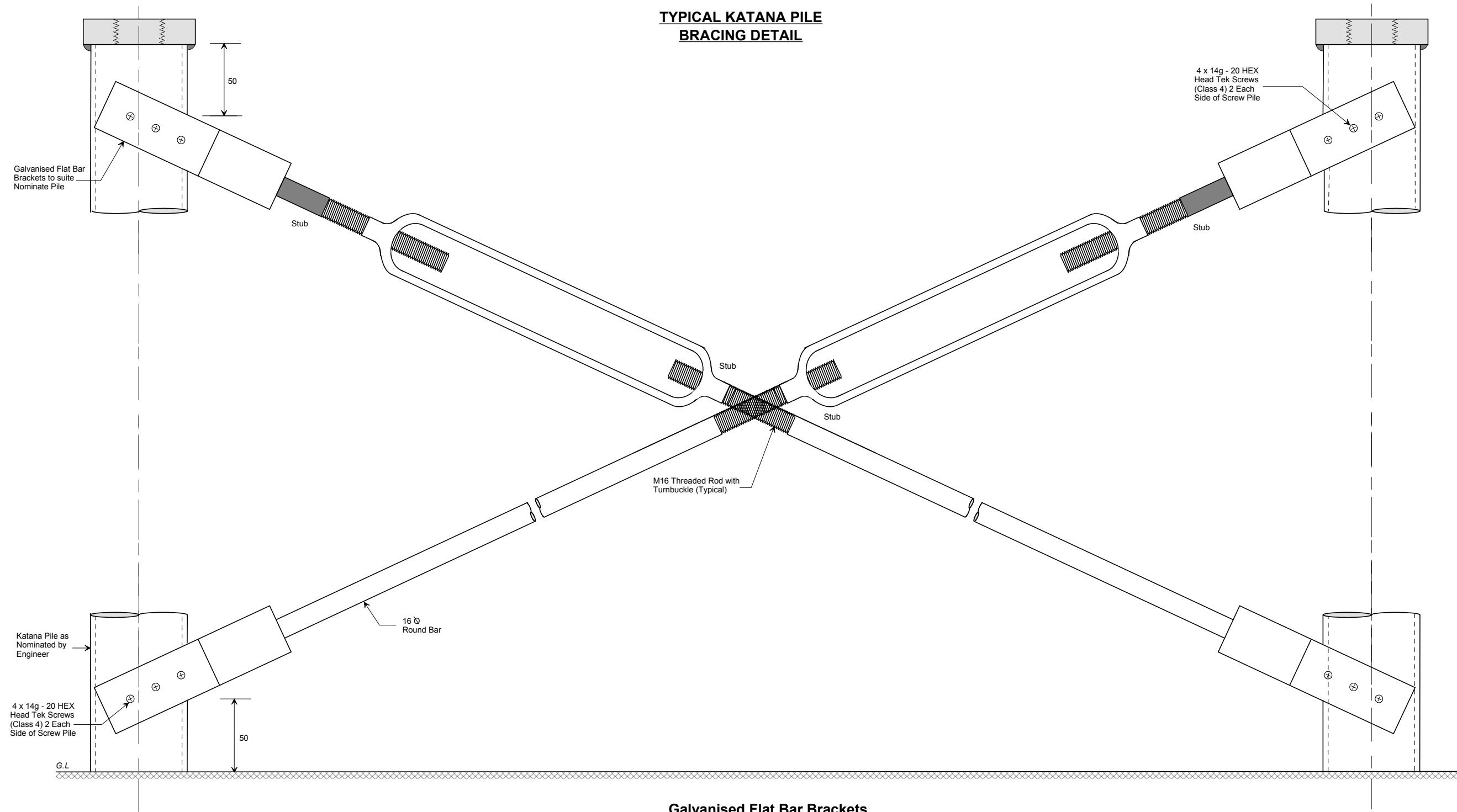
Katana Pile Connector Product :

Product Code	Item Description
BPS-200	Slotted Bearer Load Transfer Plate 200 x 200 x 8, 400 grade, M36 x 200 Thread
BCS	Slotted Bearer Connector Plate 156 x 106 x 6, 400 grade

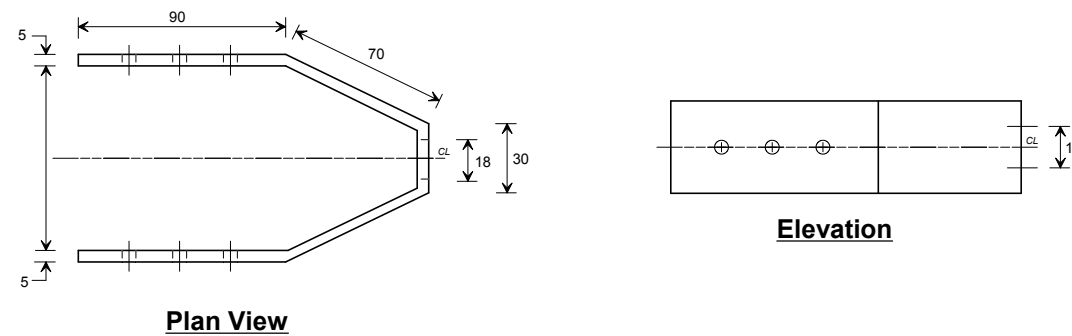
**Adjustable Edge Beam Load Transfer
Plate and Cage Specifications**



TYPICAL KATANA PILE BRACING DETAIL



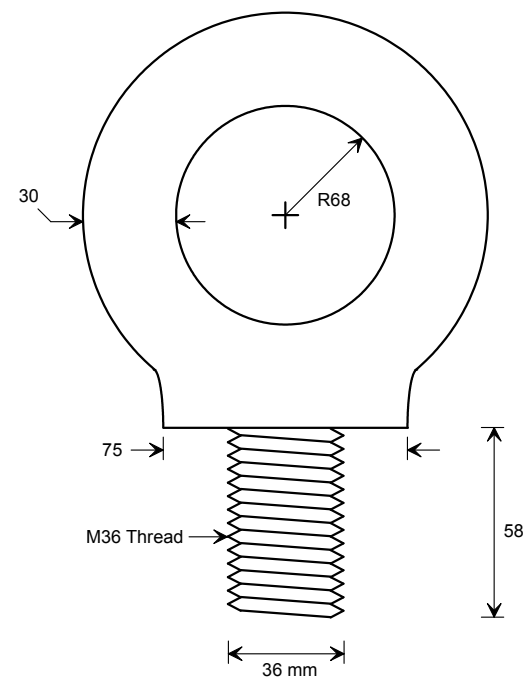
Galvanised Flat Bar Brackets



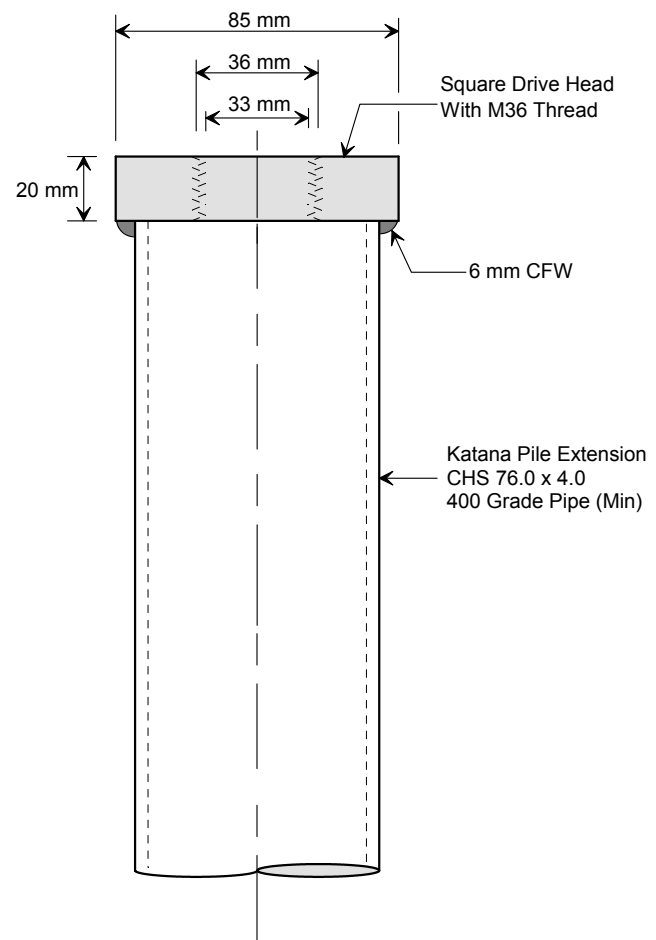
Katana Pile Brace Kit:

Product Code	Item Description
BK - 016	Bracing Kit - 4 x 'U' Bracket, Galvanised Flat Bar - 2 x Turnbuckles, Galvanised M16 - Round Bar, 16 Ø Round Bar

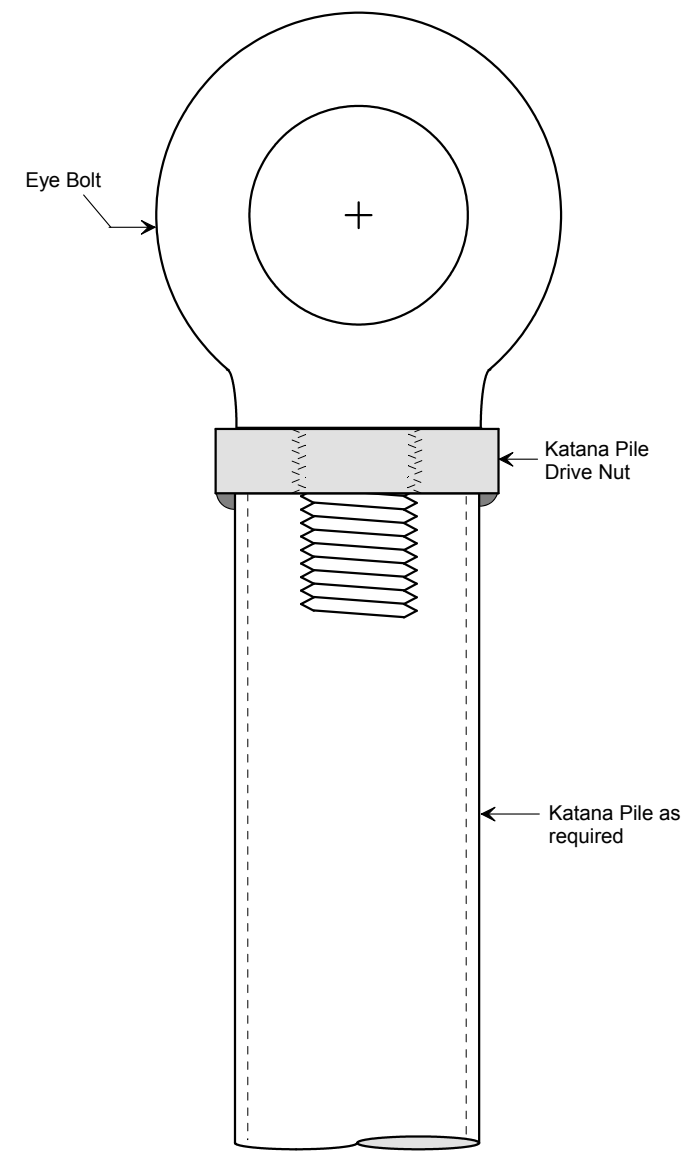
TYPICAL EYE BOLT DETAILS



EYE BOLT



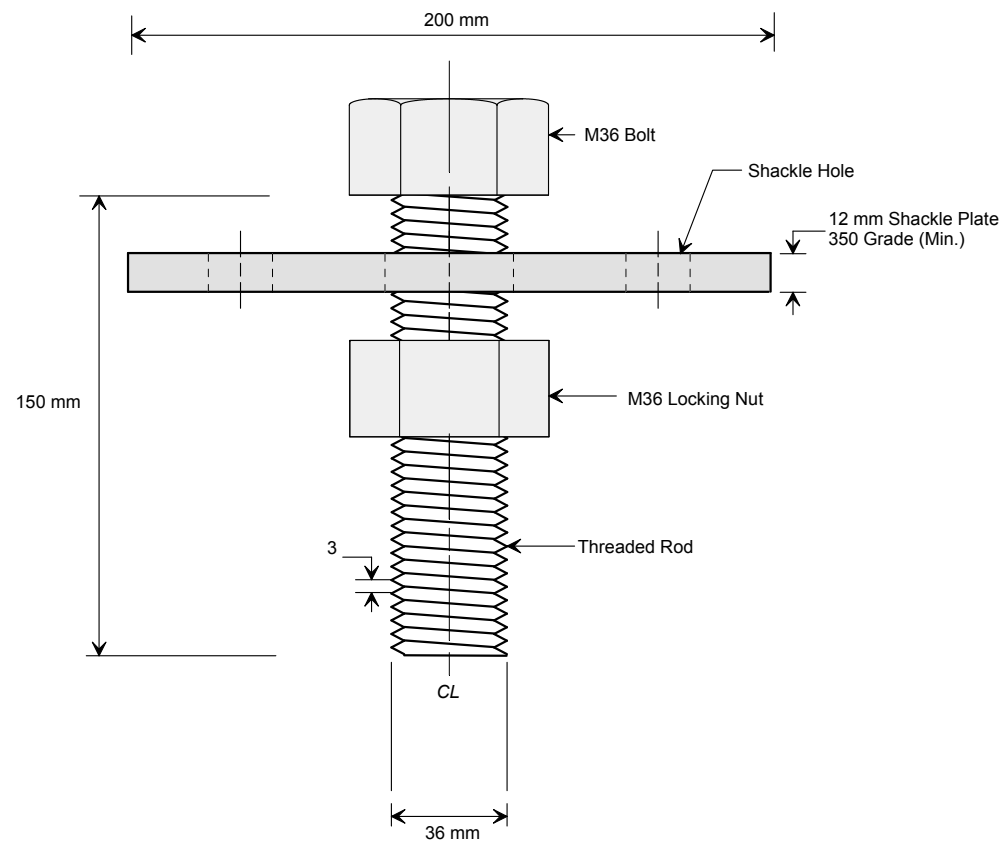
**TYPICAL 80kN
KATANA PILE TOP**



**KATANA PILE AND
EYE BOLT CONNECTION**

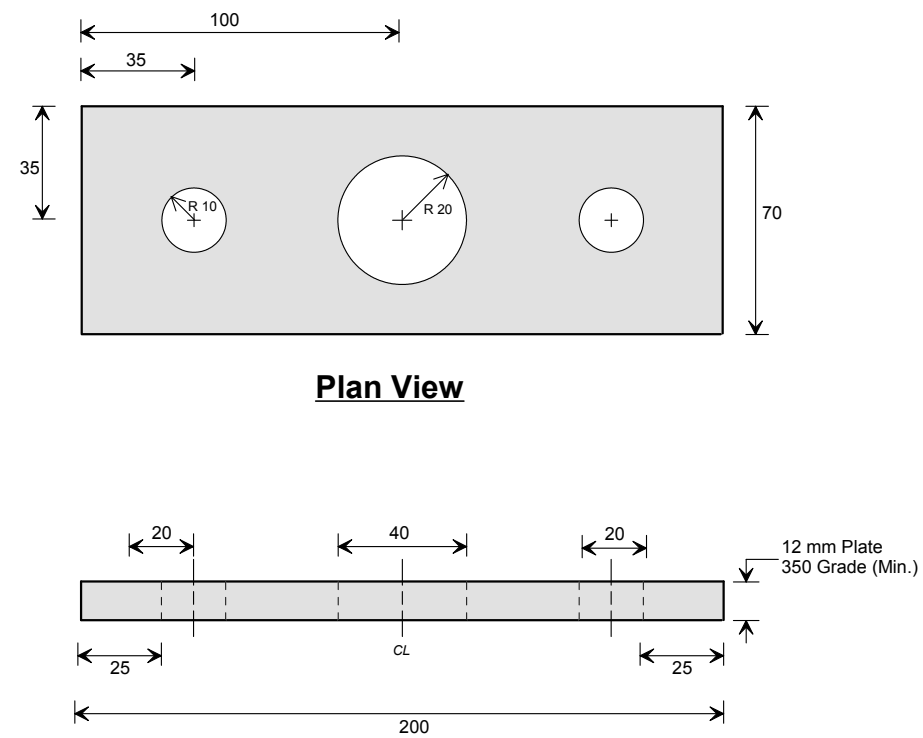
CHAIN TENSIONER ASSEMBLY

Bolt & Shackle Plate



Side View

Shackle Plate



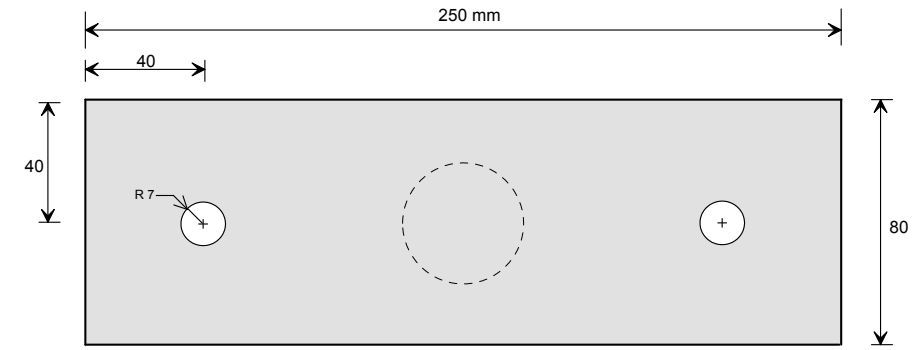
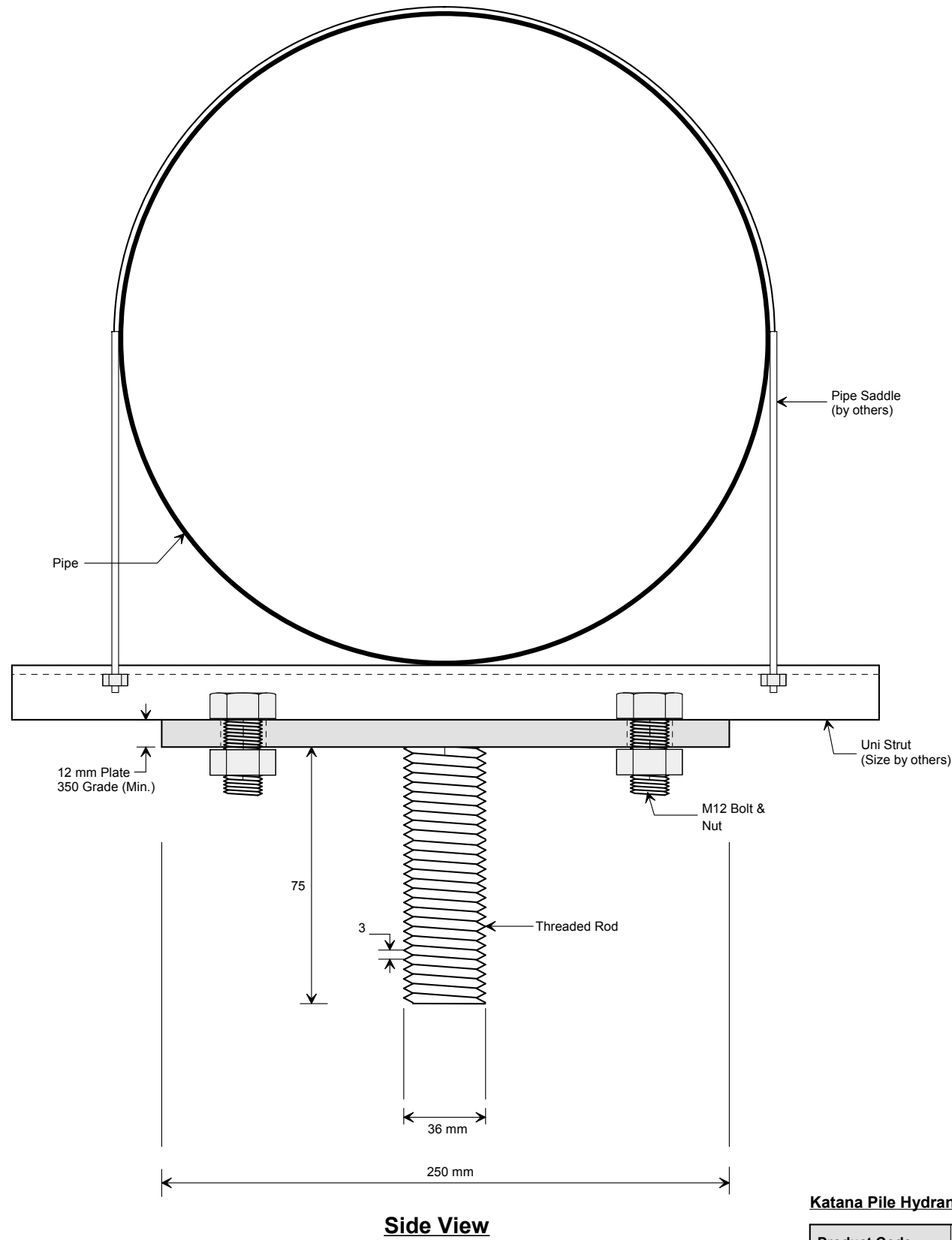
Plan View

Side View

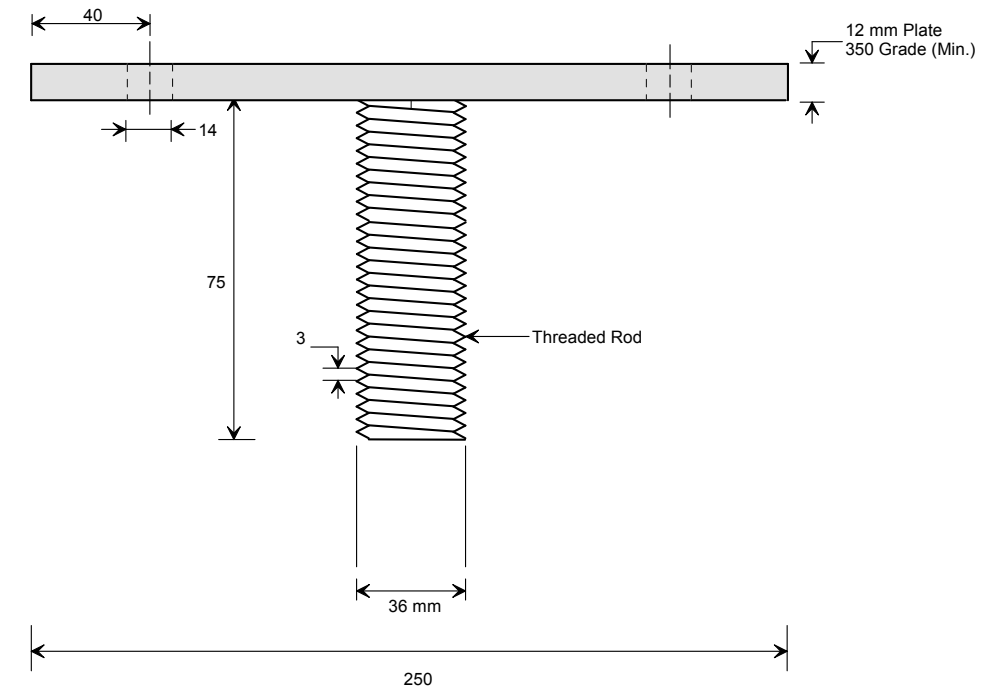
Katana Pile Chain Tension Assembly :

Product Code	Item Description
CTA - 020	200 x 75 x 12, 350 Grade Plate to suite M36 Bolt with 20 mm diameter tie down points

HYDRANT PIPE SUPPORT DETAIL



Base Plate Plan View



Base Plate Side View

Katana Pile Hydrant Pipe Support:

Product Code	Item Description
HPS - 020	250 x 80 x 12, 350 Grade Plate with M36 Bolt and 2 x 14 mm diameter tie down points